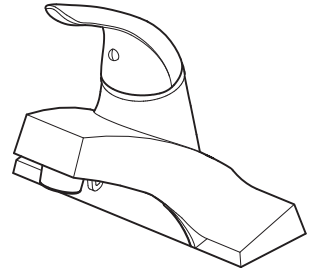


LG142-5000 Finish(PC)

LG142-6000 Finish(PC)

LG142-600K Finish(KK)



Specifications

- 3-Hole Installation
- Stainless Steel Ball Stem Valve

Features

- 1.2 GPM Flow Rate
- Metal Lever Handle
- 3-Hole Installation
- No Pop-Up Drain (5000 Only)
- Metal Pop-Up Drain (600* Only)
- Includes Cap For Pop-Up (5000 Only)
- Stainless Steel Ball Stem Valve
- Pforever Warranty®

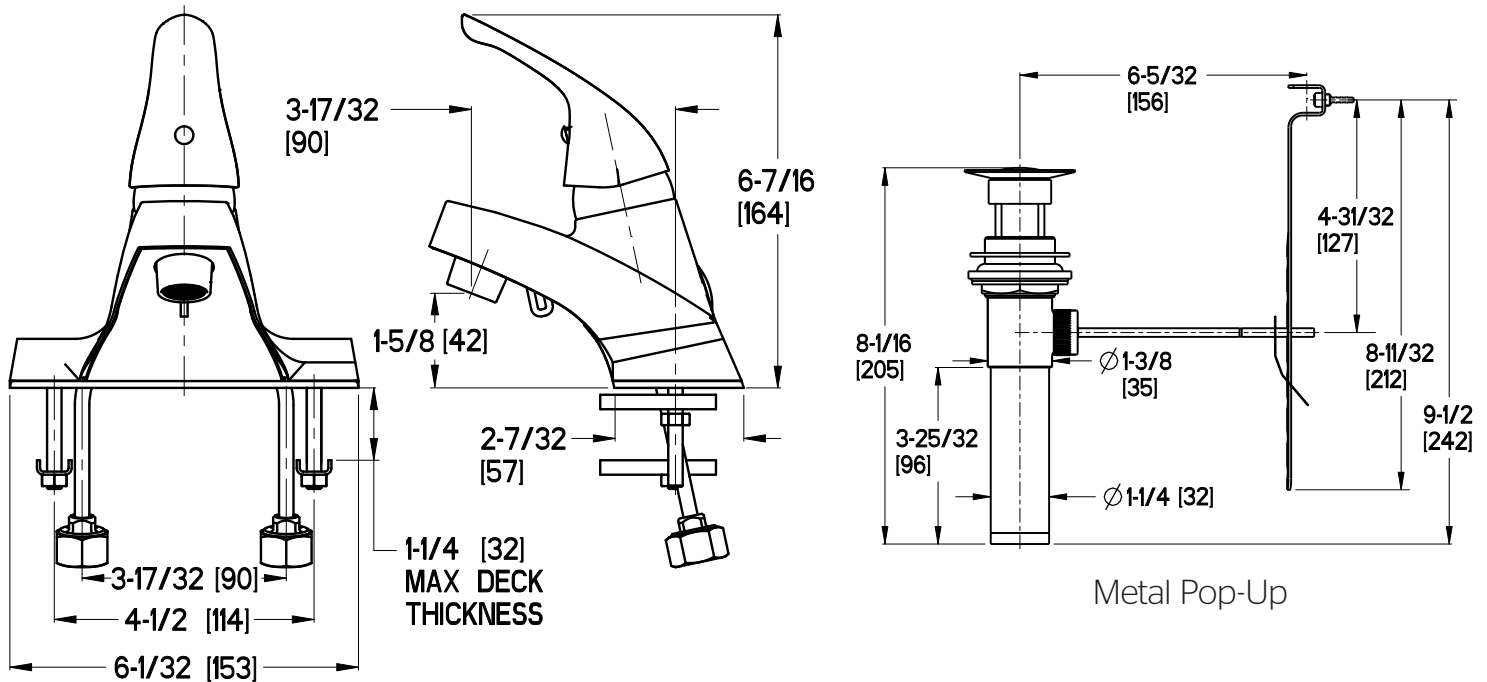
Code Compliance

Pfister products are designed and manufactured in compliance with the following standards and codes:

- IAPMO Certified
- CSA B125 Certified
- ASME A112.18.1
- NSF 61/9 Annex G (Low lead)
- Cal Green Compliant
- CEC Compliant
- EPA Watersense Certification 1.2 gpm, 4.5L/Min
- ADA Compliant-ANSI A117.1 (Lever handles only)



Dimensions



Ø1 Min to Ø1-1/2 Max. Deck Hole Openings