

### Specifications

- Two Handle
- 3-Hole Installation
- Stainless Steel Ball Valve

### Features

- 1.2 GPM Flow Rate
- Lever Handles
- Includes Metal Supply Nuts
- 50/50 Pop-Up Drain
- Washerless Cartridge
- Pforever Warranty®

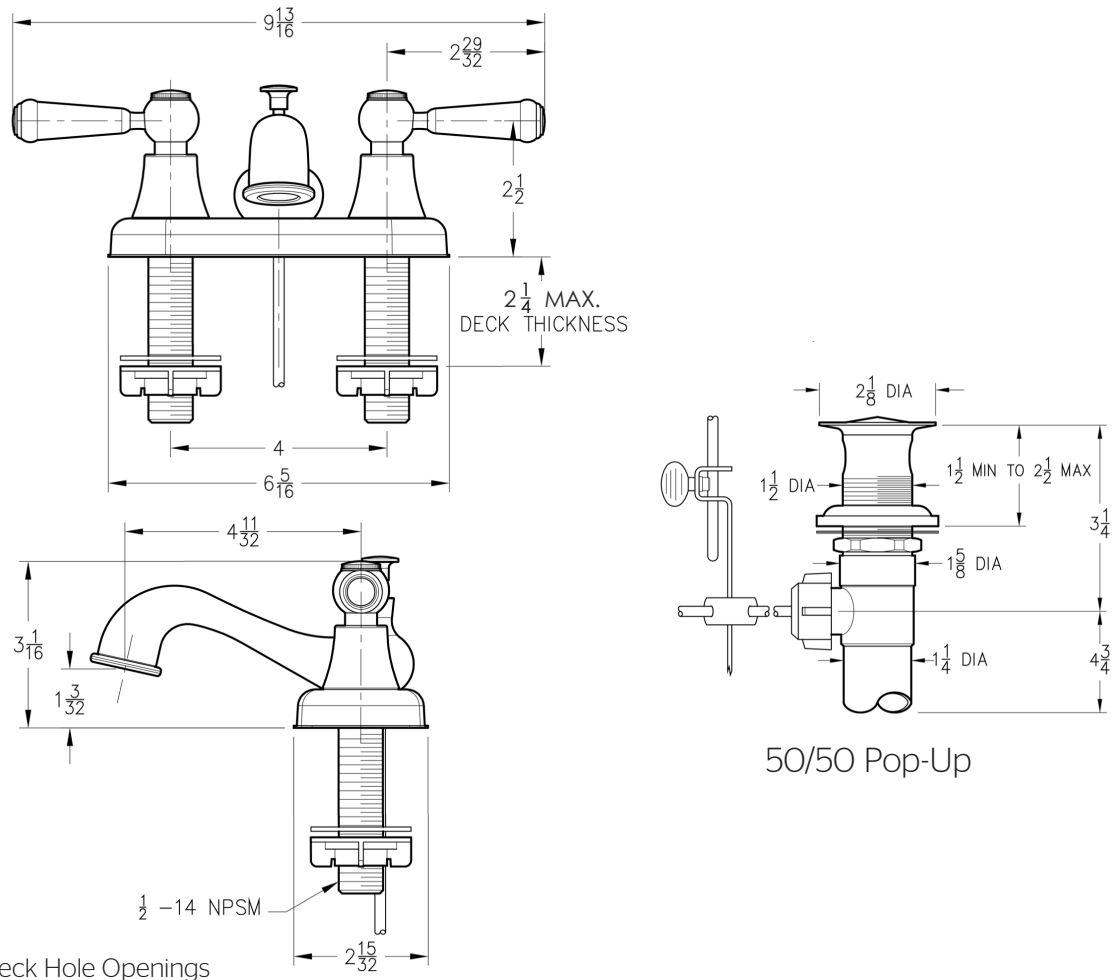
### Code Compliance

Pfister products are designed and manufactured in compliance with the following standards and codes:

- IAPMO Certified
- CSA B125 Certified
- ASME A112.18.1
- NSF 61/9 Annex G (Low lead)
- Cal Green Compliant
- CEC Compliant
- EPA Watersense Certification 1.2 gpm, 4.5L/Min
- ADA Compliant-ANSI A117.1 (Lever handles only)



### Dimensions



Ø1 Min to Ø1-1/2 Max. Deck Hole Openings