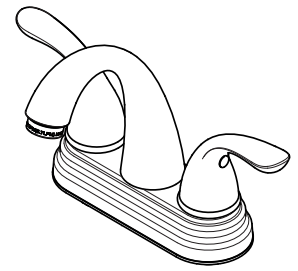


## Pfirst Series™ 4" Centerset Lavatory Faucet



- LG148-7000 Finish(C)
- LG148-700K Finish(K)
- LG148-700Y Finish(Y)

### Specifications

- Lever Handles
- Pforever Seal
- High-Arc Decorative Spout

### Features

- 1.2 GPM Flow Rate
- All Metal Construction
- Optional Copper Inlet Line Kit Included
- 3-Hole Installation
- Push and Seal™ Drain
- High-Arc Decorative Spout
- Pforever Seal Ceramic Disc Valves
- Pforever Warranty®

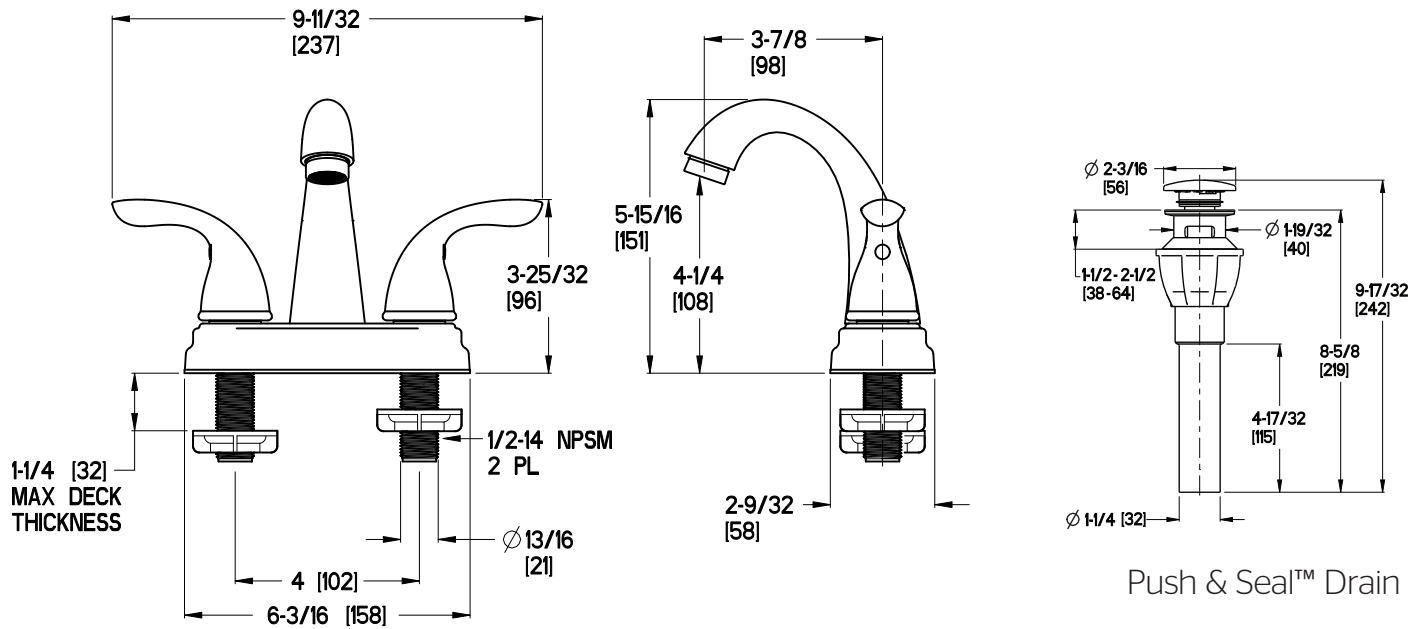
### Code Compliance

Pfister products are designed and manufactured in compliance with the following standards and codes:

- IAPMO Certified to ASME A112.18.1/ CSA B125
- Certified to NSF 61/9 Annex G (Low lead)
- CALGreen Compliant
- CEC Compliant
- EPA Watersense Certification 1.2 gpm, 4.5L/Min
- ADA Compliant-ANSI A117.1 (Lever handles only)



### Dimensions



Ø1 Min to Ø1-1/2 Max. Deck Hole Openings