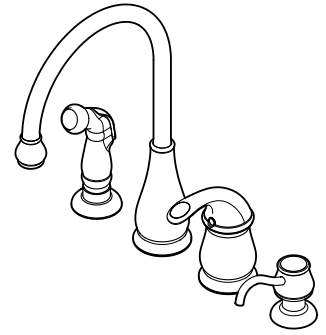


LG26-4DCC Finish(CC)

LG26-4DSS Finish(SS)

LG26-4DYY Finish(YY)



Specifications

- 360° Swivel Spout
- Soap Dispenser Included

Features

- 1.75 GPM Flow Rate
- All Metal Construction
- High Arc Spout
- Mounting Hardware Included
- Pfast Connect™
- 360° Swivel Spout
- Soap Dispenser Included
- Side Spray Included
- Pforever Seal Ceramic Disc Valves
- Pforever Warranty®

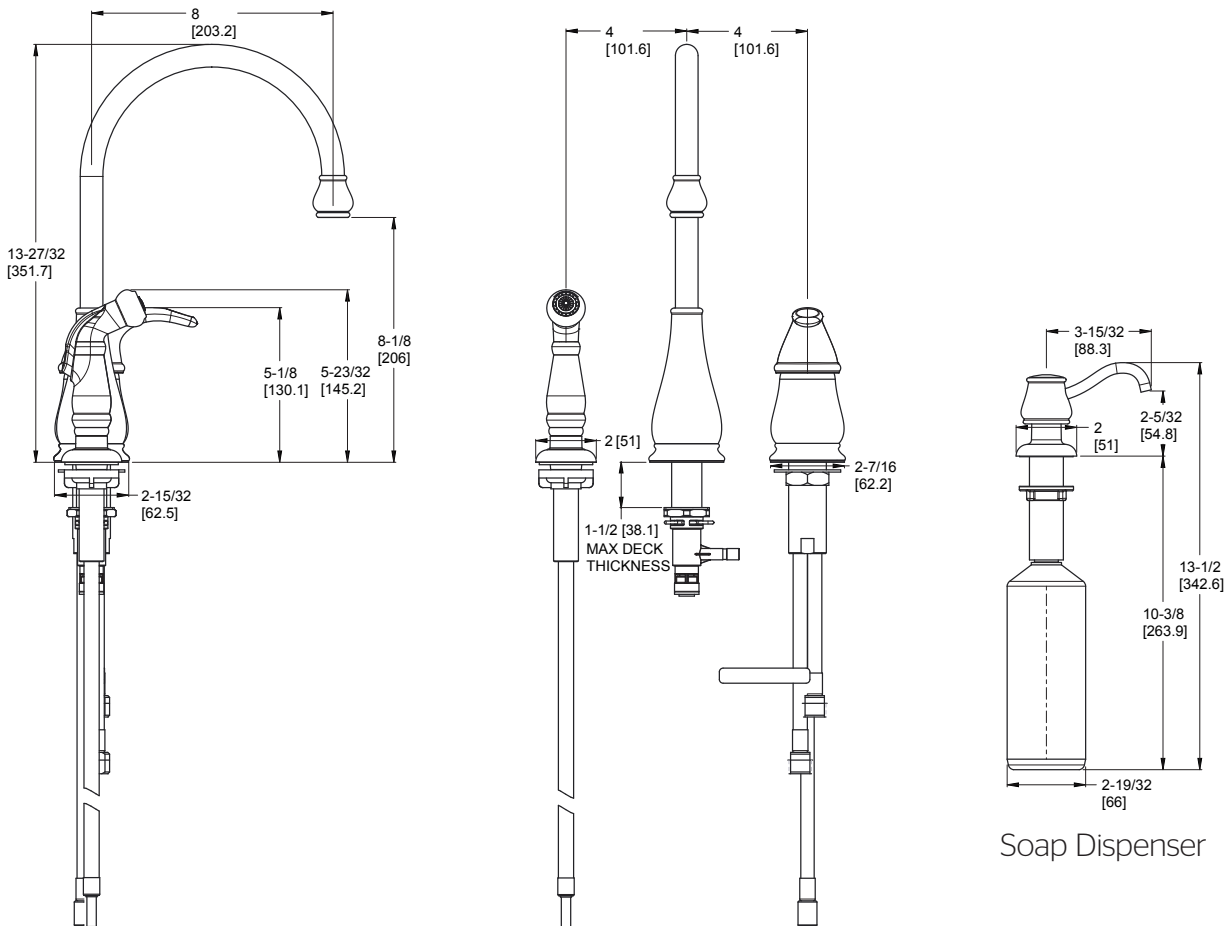
Code Compliance

Pfister products are designed and manufactured in compliance with the following standards and codes:

- IAPMO Certified
- CSA B125 Certified
- ASME A112.18.1
- NSF 61/9 Annex G (Low lead)
- Cal Green Compliant
- CEC Compliant
- ADA Compliant-ANSI A171.1 (Lever handles only)
- ASME A112.18.3 (Backflow Prevention)



Dimensions



Ø1-3/8 Min to Ø1-1/2 Max. Deck Hole Openings

Soap Dispenser