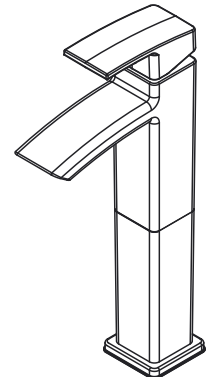


Single Control Vessel Faucet

- LG40-DF1B Finish(B)
- LG40-DF1C Finish(C)
- LG40-DF1K Finish(K)



Specifications

Features

- 1.2 GPM Flow Rate
- All Metal Construction
- No Drain Included
- Laminar Flow
- Pforever Seal™ Ceramic Disc Valve
- Limited Lifetime Warranty

- All Metal Construction
- Pforever Seal

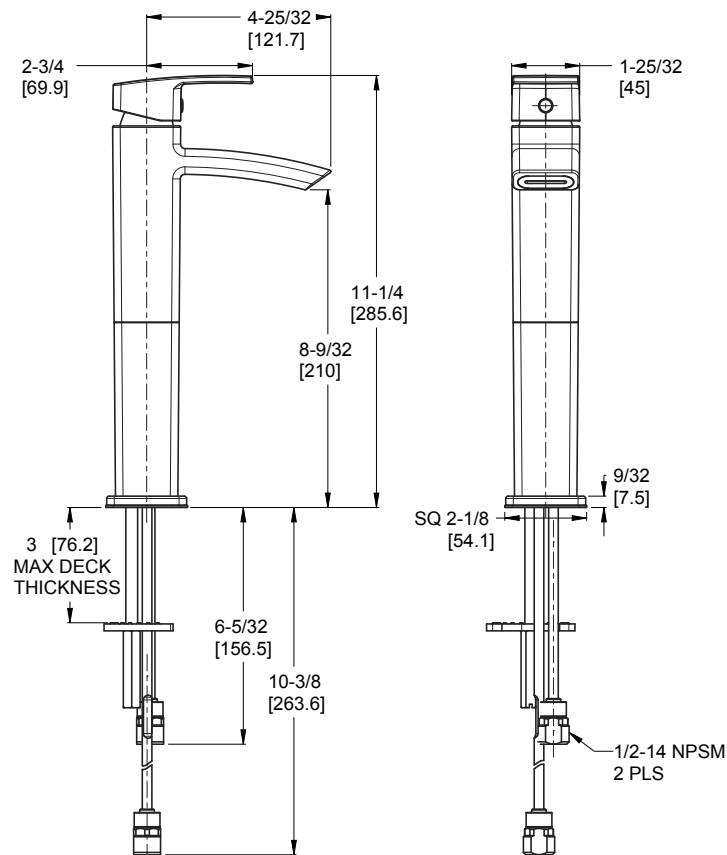
Code Compliance

Pfister products are designed and manufactured in compliance with the following standards and codes:

- IAPMO Certified to ASME A112.18.1/CSA B125.1
- NSF/ANSI/CAN61:Q≤1
- CEC Certified/CALGreen compliant
- EPA WaterSense Certified
- ADA Compliant - ANSI A117.1 (Lever Handle Only)



Dimensions



Ø1 Min to Ø1-1/2 Max. Deck Hole Openings