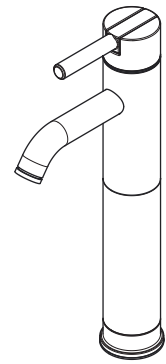


- LG40-NB00 Finish(B)
- LG40-NBG00 Finish(BG)
- LG40-NCO0 Finish(C)
- LG40-NK00 Finish(K)



Specifications

- Single Control
- Pforever Seal™

Features

- 1.2 GPM Flow Rate
- All Metal Construction
- No Drain Included
- Grid Strainer without Overflow Available, Order 972-103 (Sold Separately)
- Grid Strainer with Overflow Available, Order 972-104 (Sold Separately)
- Mounting Hardware Included
- Pforever Seal™
- Ceramic Disc Valve
- Limited Lifetime Warranty

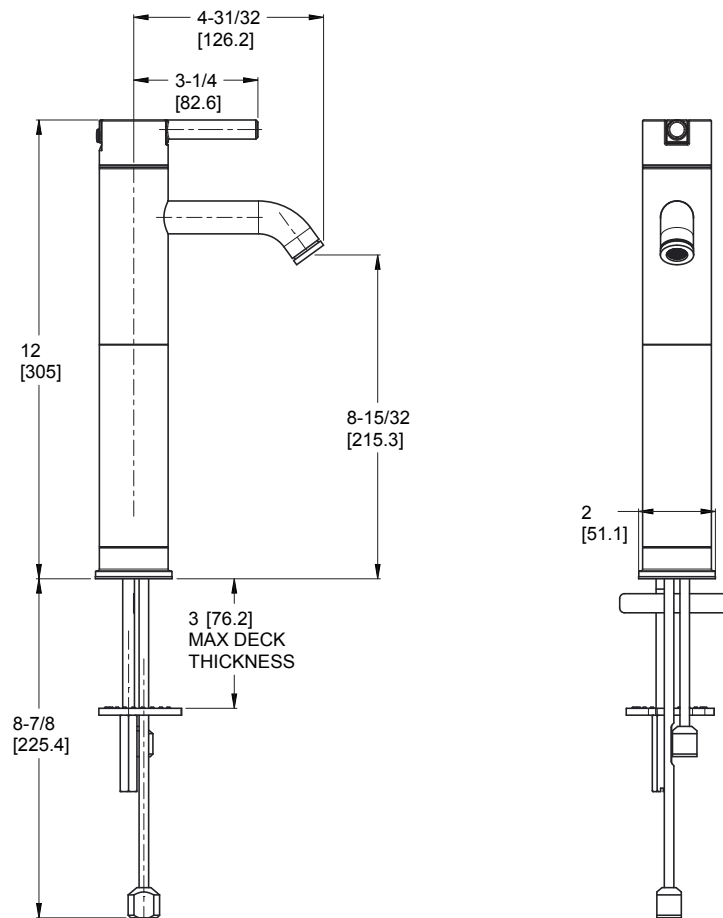
Code Compliance

Pfister products are designed and manufactured in compliance with the following standards and codes:

- IAPMO Certified to ASME A112.18.1/CSA B125.1
- EPA WaterSense Certified
- NSF/ANSI/CAN61:Q≤1
- CEC Certified/CALGreen compliant
- ADA Compliant - ANSI A117.1 (Lever Handles Only)



Dimensions



Ø1 Min to Ø1-1/2 Max. Deck Hole Openings