

- LG40-TROC Finish(C)
- LG40-TROD Finish(D)
- LG40-TROK Finish(K)
- LG40-TROY Finish(Y)

Specifications

- Single Control

Features

- 1.2 GPM Flow Rate
- All Metal Construction
- Mounting Hardware Included
- No Drain Included
- Pfast Connect™
- Pforever Warranty®

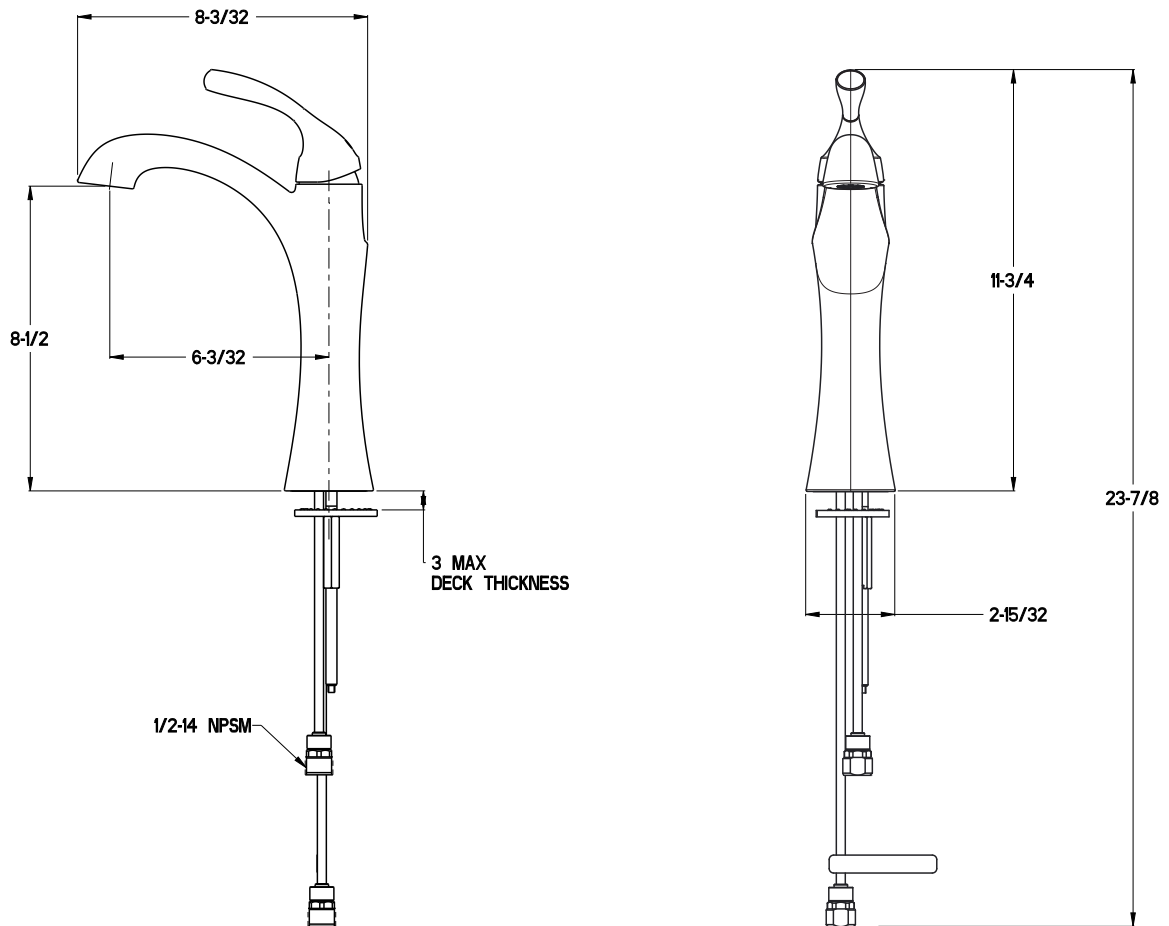
Code Compliance

Pfister products are designed and manufactured in compliance with the following standards and codes:

- IAPMO Certified
- CSA B125 Certified
- ASME A112.18.1
- NSF 61/9 Annex G (Low lead)
- Cal Green Compliant
- CEC Compliant
- EPA WaterSense Certification 1.2 gpm, 4.5 L/Min
- ADA Compliant-ANSI A17.1 (Lever handles only)



Dimensions



Ø1 Min to Ø1-1/2 Max. Deck Hole Openings