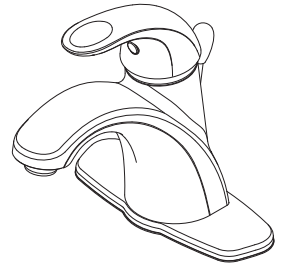


- LG42-AMCC Finish(C)
- LG42-AMCK Finish(K)
- LG42-ANCC Finish(C)



Specifications

Features

- 1.2 GPM Flow Rate
- 16" Copper Supply Lines, No Fittings
- All Metal Construction
- Includes Cap for Pop-Up Hole (*AN Only)
- No Pop-Up Drain (*AN Only)
- Metal Pop-Up Drain (*AM Only)
- High-Arc Decorative Spout
- Pforever Seal™ Ceramic Disc Valve
- Limited Lifetime Warranty

- High-Arc Decorative Spout
- Pforever Seal™

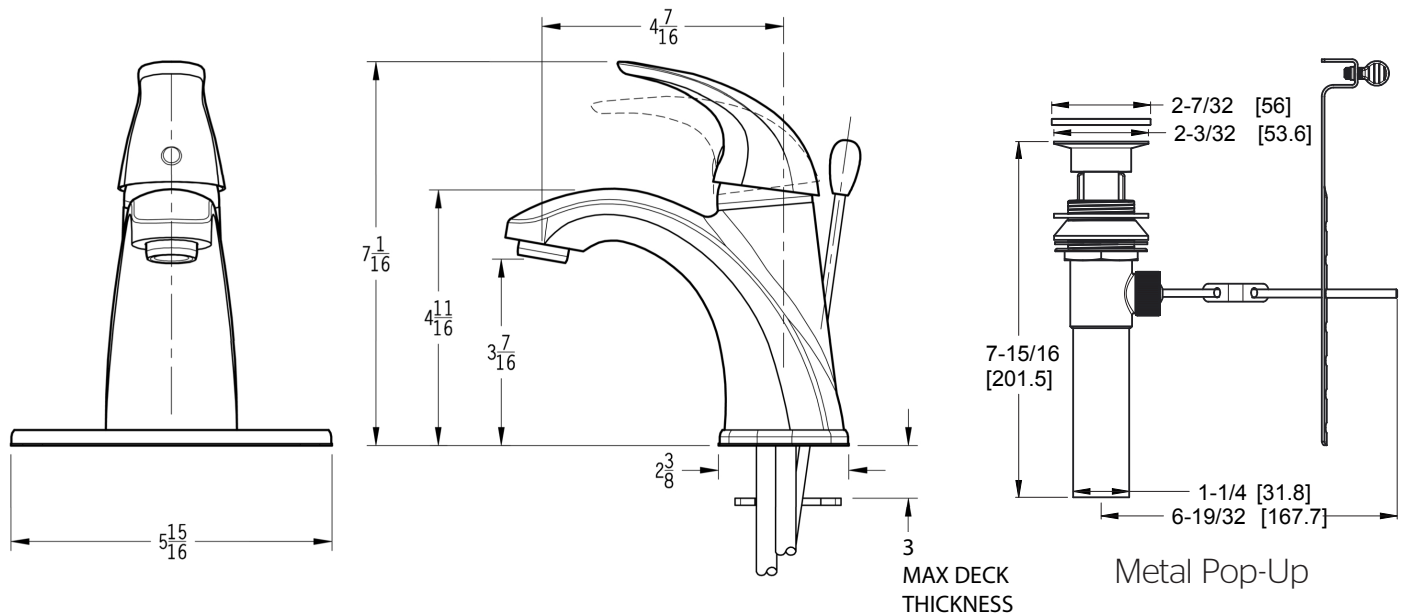
Code Compliance

Pfister products are designed and manufactured in compliance with the following standards and codes:

- IAPMO Certified to ASME A112.18.1/CSA B125.1
- EPA WaterSense Certified
- NSF/ANSI/CAN61:Q≤1
- CEC Certified/CALGreen compliant
- ADA Compliant - ANSI A117.1 (Lever Handle Only)



Dimensions



Ø1 Min to Ø1-1/2 Max. Deck Hole Openings