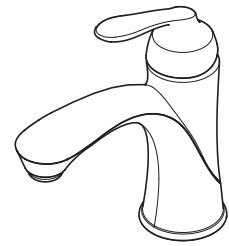


- LG42-CB1C Finish(C)
- LG42-CB1K Finish(K)
- LG42-CB1Y Finish(Y)



Specifications

- All Metal Construction
- Pforever Seal™

Features

- 1.2 GPM Flow Rate
- All Metal Construction
- Optional Deckplate, Must Order Both 961-146* & 974-278*
- Temperature Limit Stop
- Push and Seal™ Drain
- Pforever Seal™ Ceramic Disc Valve
- Limited Lifetime Warranty



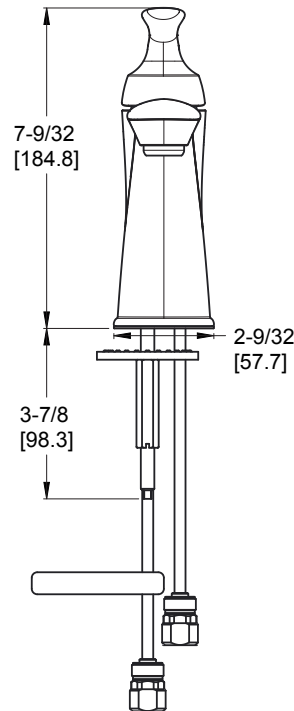
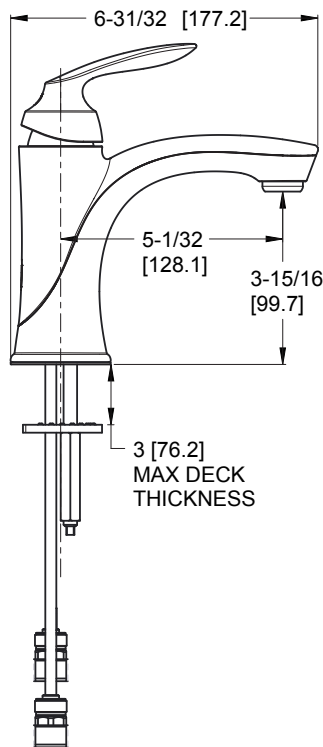
Code Compliance

Pfister products are designed and manufactured in compliance with the following standards and codes:

- IAPMO Certified to ASME A112.18.1/CSA B125.1
- EPA WaterSense Certified
- NSF/ANSI/CAN61:Q≤1
- CEC Certified/CALGreen compliant
- ADA Compliant - ANSI A117.1 (Lever Handles Only)

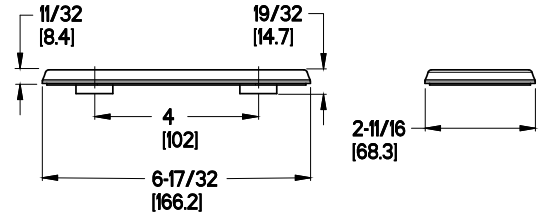


Dimensions



Ø1 Min to Ø1-1/2 Max. Deck Hole Openings

Optional Deck and Putty Plate



Push & Seal™

