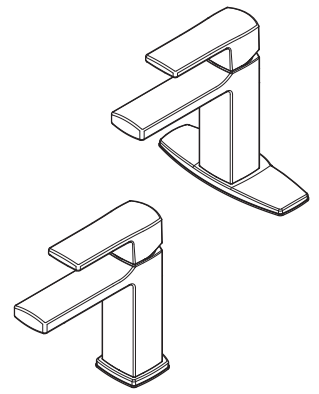


- LG42-DAPB Finish(B)
- LG42-DAPC Finish(C)
- LG42-DAPK Finish(K)



- 1 or 3-Hole Installation
- All Metal Construction
- Pforever Seal

Specifications

Features

- 1.2 GPM Flow Rate
- All Metal Construction
- 1 or 3-Hole Installation
- Optional Deckplate, Order 961-230*
- Includes Push & Seal™ Drain
- Pforever Seal™ Ceramic Disc Valve
- Limited Lifetime Warranty

Code Compliance

Pfister products are designed and manufactured in compliance with the following standards and codes:

- IAPMO Certified to ASME A112.18.1/CSA B125.1
- NSF/ANSI/CAN61:Q≤1
- CEC Certified/CALGreen compliant
- EPA WaterSense Certified
- ADA Compliant - ANSI A117.1 (Lever Handle Only)



Dimensions

