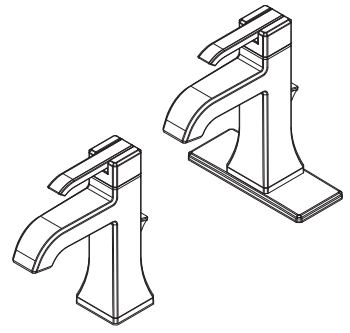


## Park Avenue™ Single Control Lavatory Faucet

- LG42-FE0BG Finish(BG)
- LG42-FE0C Finish(C)
- LG42-FE0D Finish(D)
- LG42-FE0K Finish(K)
- LG42-FE0Y Finish(Y)



### Specifications

- All Metal Construction
- Pforever Seal

### Features

- 1.2 GPM Flow Rate
- Metal Pop-Up Drain
- 1 or 3-Hole Installation; Deck Plate or Single Hole Mounting Option
- Optional Deckplate, Order 960-204\*
- Pforever Warranty®

### Code Compliance

Pfister products are designed and manufactured in compliance with the following standards and codes:

- IAPMO Certified
- CSA B125 Certified
- ASME A112.18.1
- NSF 61/9 Annex G (Low lead)
- Cal Green Compliant
- CEC Compliant
- EPA WaterSense Certification 1.2 gpm, 4.5 L/Min
- ADA Compliant-ANSI A117.1 (Lever handles only)



### Dimensions

