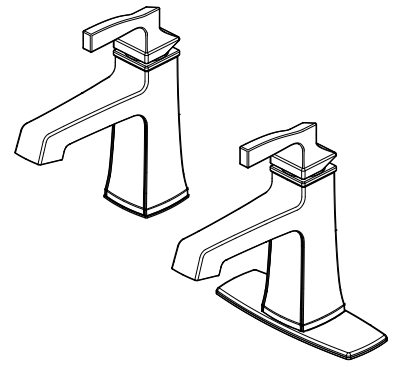


- LG42-HTOBG Finish(BG)
- LG42-HTOC Finish(C)
- LG42-HTOGS Finish(GS)
- LG42-HTOSDB Finish(SDB)



Specifications

Features

- 1.2 GPM Flow Rate
- Mounting Hardware Included
- Optional Deckplate Included
- Integrated Nylon Braided Supply Lines with 3/8" Compression Fittings
- Spot Defense™ Finish Resists Spots and Fingerprints (GS & SDB Finish Only)
- Push & Seal™ Pop-Up
- TiteSeal™ Technology
- Pforever Seal™ Ceramic Disc Valve
- Limited Lifetime Warranty



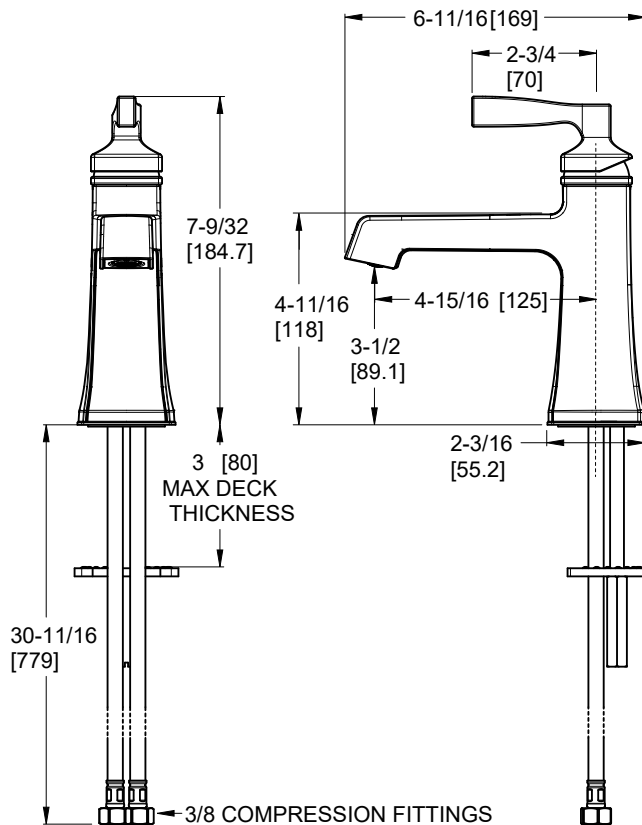
Code Compliance

Pfister products are designed and manufactured in compliance with the following standards and codes:

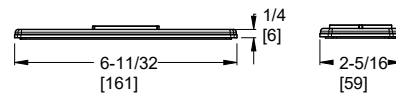
- IAPMO Certified to ASME A112.18.1/CSA B125.1
- NSF/ANSI/CAN61:Q≤1
- CEC Certified/CALGreen compliant
- EPA WaterSense Certified
- ADA Compliant - ANSI A117.1 (Lever Handles Only)



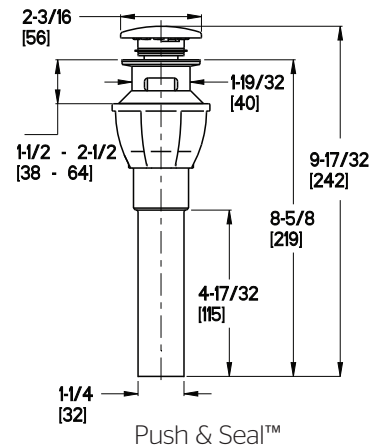
Dimensions



Optional Aerators Available	
GPM	Part Number
0.35 GPM	941-4370
0.5 GPM	941-4320
1.0 GPM	941-4440



Optional Included Deckplate



Ø1 Min to Ø1-1/2 Max. Deck Hole Openings