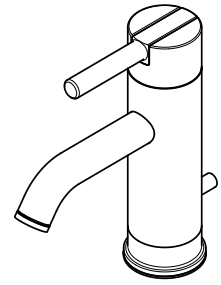


- LG42-NB00 Finish(B)
- LG42-NBG00 Finish(BG)
- LG42-NCO0 Finish(C)
- LG42-NK00 Finish(K)



Specifications

- 1 or 3-Hole Installation

Features

- 1.2 GPM Flow Rate
- 1 or 3-Hole Installation, for Optional Deckplate Order 961-095*
- Metal Pop-Up
- Fixed Spout
- Pforever Seal™ Ceramic Disc Valve
- Pforever Warranty®

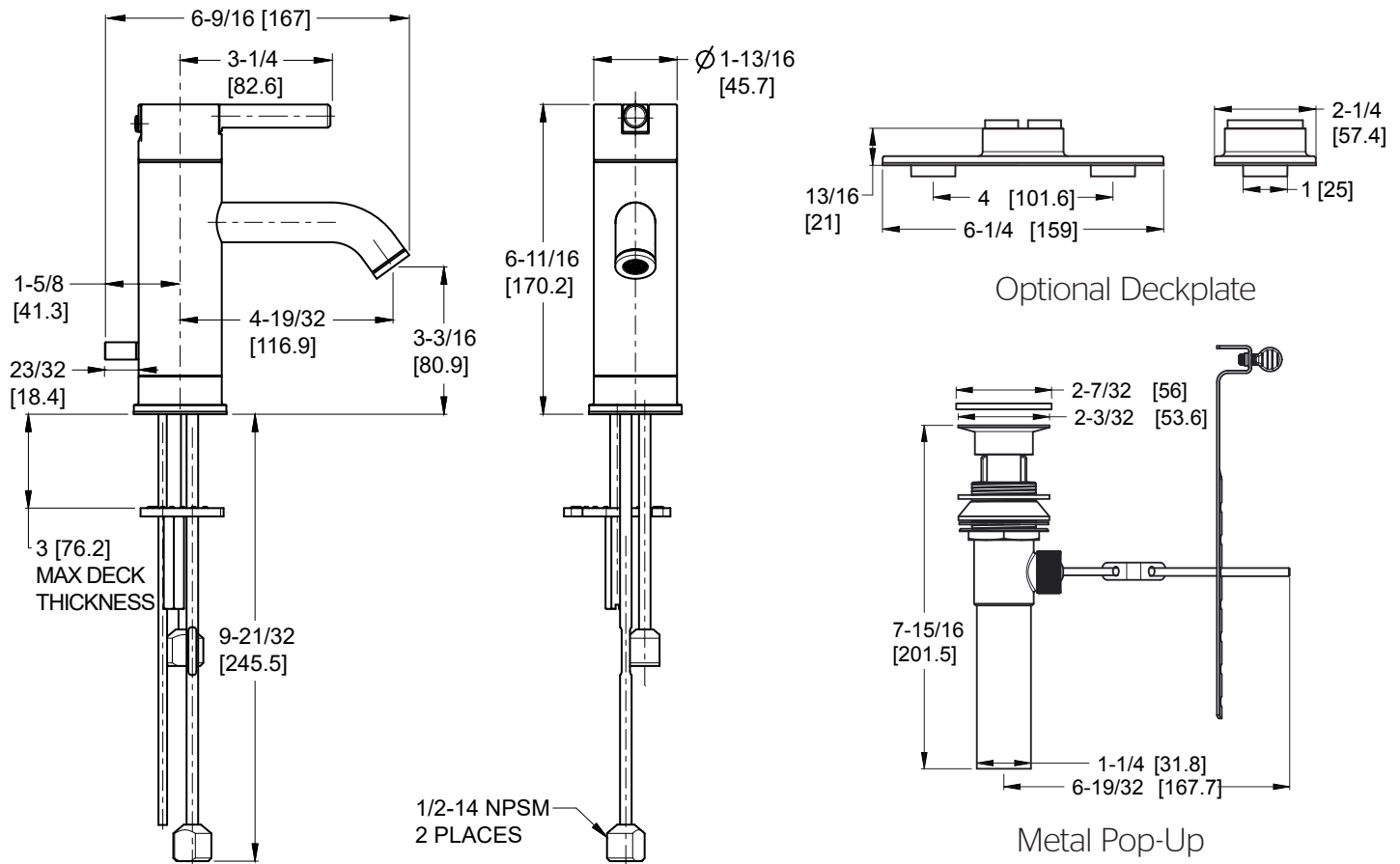
Code Compliance

Pfister products are designed and manufactured in compliance with the following standards and codes:

- IAPMO Certified to ASME A112.18.1/CSA B125.1
- NSF 61/9 AnnexG Certified
- EPA WaterSense Certified
- CEC Certified/CALGreen compliant
- ADA Compliant - ANSI A117.1 (Lever Handles Only)



Dimensions



Ø1 Min to Ø1-1/2 Max. Deck Hole Openings