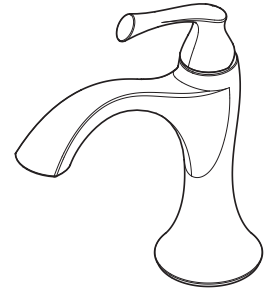


Single Control Lavatory Faucet

- LG42-RH2C Finish(C)
- LG42-RH2K Finish(K)
- LG42-RH2B Finish(B)
- LG42-RH2BG Finish(BG)



Specifications

Features

- 1.2 GPM Flow Rate
- All Metal Construction
- Optional Deckplate, Order 961-232*
- All Metal Push&Seal™
- Pforever Seal™ Ceramic Disc Valve
- Limited Lifetime Warranty

- 1 or 3-Hole Installation
- All Metal Construction
- Pforever Seal™

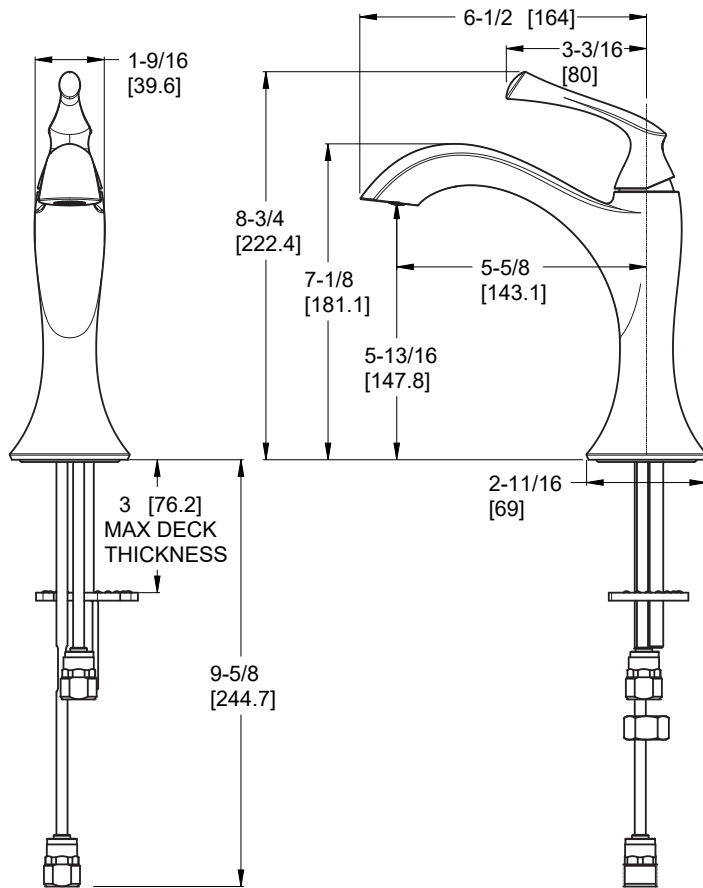
Code Compliance

Pfister products are designed and manufactured in compliance with the following standards and codes:

- IAPMO Certified to ASME A112.18.1/CSA B125.1
- NSF/ANSI/CAN61:Q≤1
- EPA WaterSense Certified
- CEC Certified/CALGreen compliant
- ADA Compliant - ANSI A117.1 (Lever Handles Only)

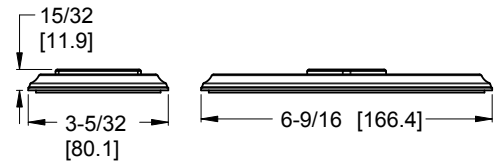


Dimensions



Ø1 Min to Ø1-1/2 Max. Deck Hole Openings

Optional Deckplate



Metal Push & Seal™

