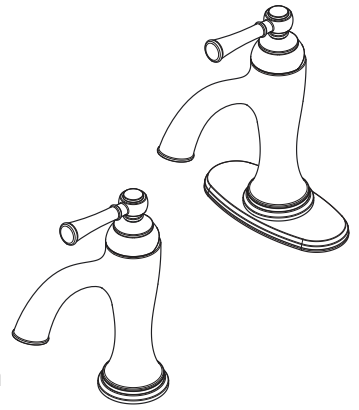


- LG42-TBOBG Finish(BG)
- LG42-TBOD Finish(D)
- LG42-TBOC Finish(C)
- LG42-TBOK Finish(K)
- LG42-TBOY Finish(Y)



- 1 or 3-Hole Installation
- All Metal Construction
- Pforever Seal

Specifications

Features

- 1.2 GPM Flow Rate
- All Metal Construction
- 1 or 3-Hole Installation
- Optional Deckplate, Order 961-223*
- Metal Pop-Up Rod
- Pforever Seal™ Ceramic Disc Valve
- Limited Lifetime Warranty

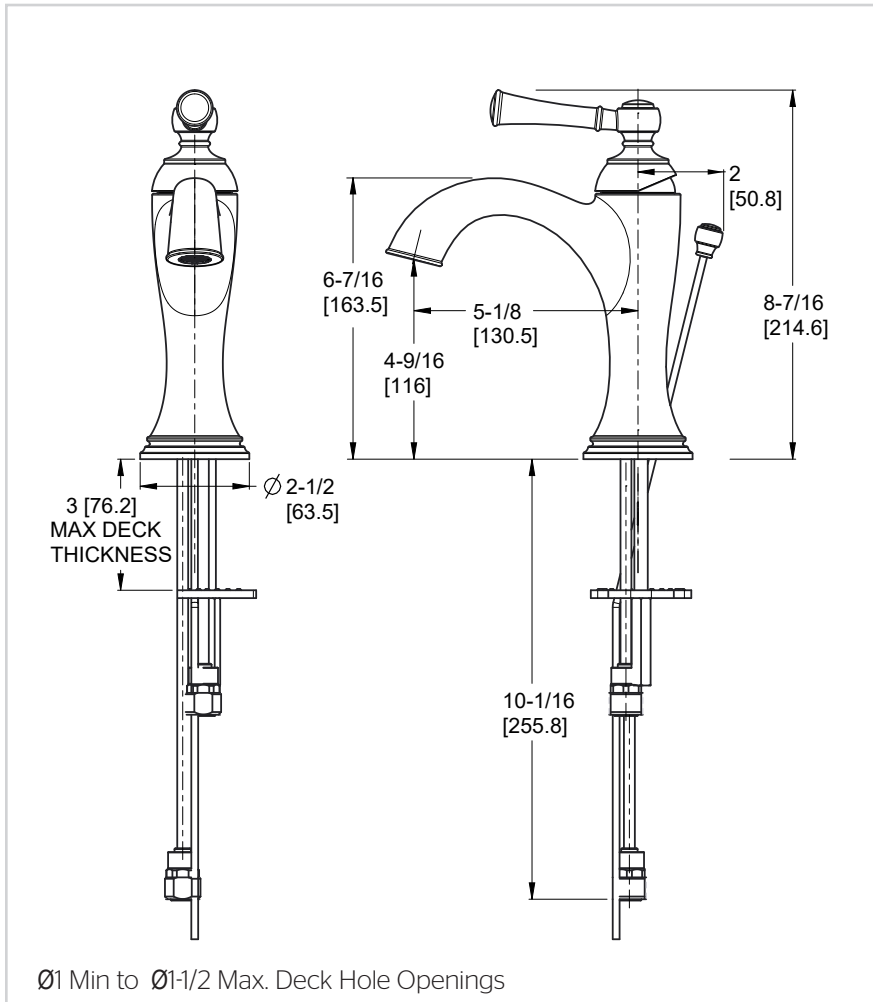
Code Compliance

Pfister products are designed and manufactured in compliance with the following standards and codes:

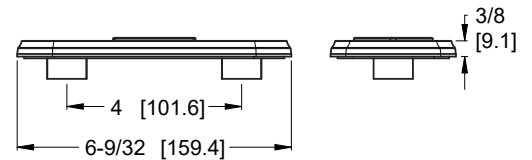
- IAPMO Certified to ASME A112.18.1/CSA B125.1
- EPA WaterSense Certified
- NSF/ANSI/CAN61:Q≤1
- CEC Certified/CALGreen compliant
- ADA Compliant - ANSI A117.1 (Lever Handle Only)



Dimensions



Optional Deckplate



Metal Pop-Up

