

- LG42-TNTC Finish(C)
- LG42-TNTK Finish(K)
- LG42-TNTB Finish(B)
- LG42-TNTBG Finish(BG)

- 1 or 3-Hole Installation
- All Metal Construction
- Pforever Seal

Specifications

Features

- 1.2 GPM Flow Rate
- All Metal Construction
- 1-Hole Installation (For 3-Hole Installation Order Deckplate)
- Optional Deckplate, Order 961-235*
- Order Install Kit 962-122 For Decks That Are Thinner Than 1/2" [12.7]
- All Metal Push & Seal™ Drain
- Mounting Hardware Included
- Forward Rotating Handle
- Temperature Only Control
- Metal Lever Handle
- Laminar Water Flow
- Pforever Seal Ceramic Disc Valve
- Pforever Warranty®

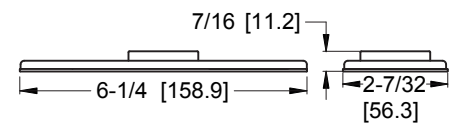
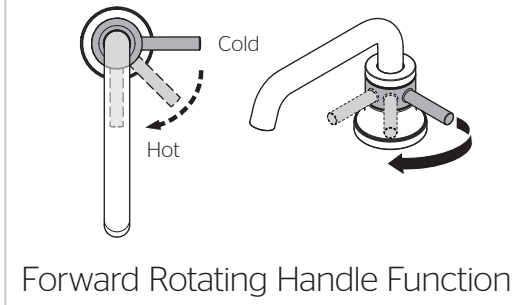
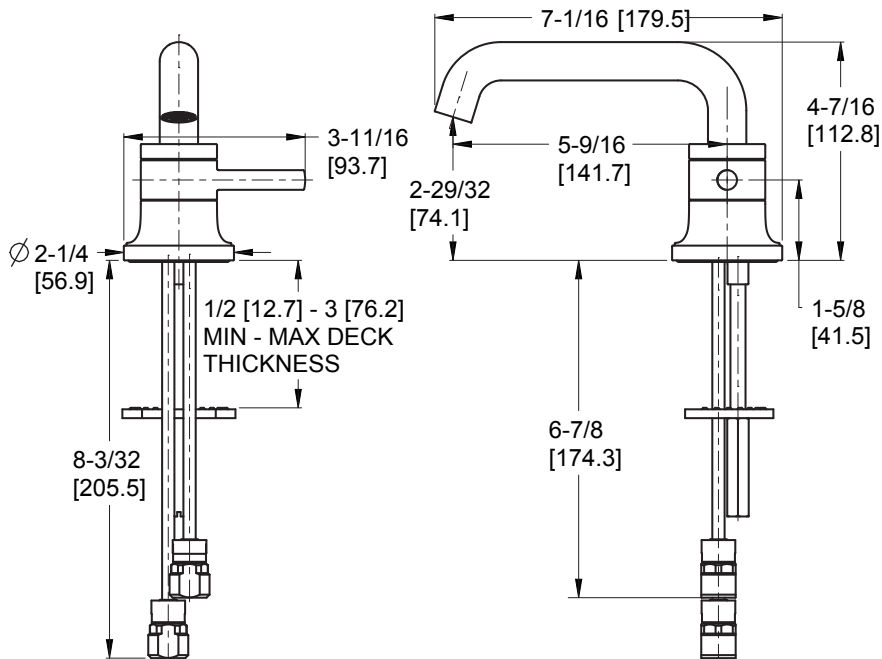
Code Compliance

Pfister products are designed and manufactured in compliance with the following standards and codes:

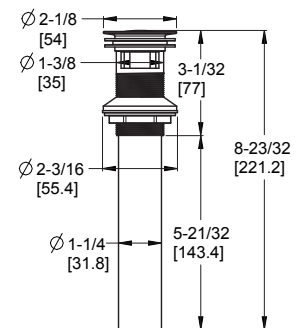
- IAPMO Certified
- CSA B125 Certified
- ASME A112.18.1
- NSF 61/9 & 372
- CEC Compliant
- Cal Green Compliant
- EPA WaterSense Compliant 1.2 gpm, 4.5L/Min
- ADA Compliant-ANSI A117.1 (Lever handles only)



Dimensions



Optional Deckplate



Metal Push & Seal™

\varnothing 1 Min to \varnothing 1-1/2 Max. Deck Hole Openings