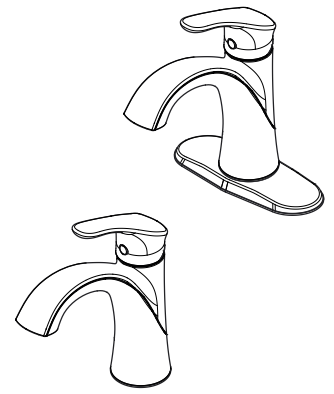


### Single Control Lavatory Faucet

- LG42-WROB Finish(B)
- LG42-WROC Finish(C)
- LG42-WROK Finish(K)
- LG42-WROY Finish(Y)



- All Metal Construction
- Pforever Seal™
- Push & Seal™ Pop-Up

## Specifications

### Features

- 1.2 GPM Flow Rate
- All Metal Construction
- 1 or 3-Hole Installation; Deck Plate or Single Hole Mounting Option
- Optional Deckplate, Must Order 961-265\* Separately
- Drilled for Optional Metal Drain (Order 972-054\*)
- PVD Finish (K Finish Only)
- Pforever Seal™ Ceramic Disc Valve
- Pforever Warranty®



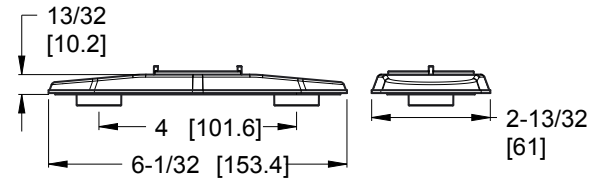
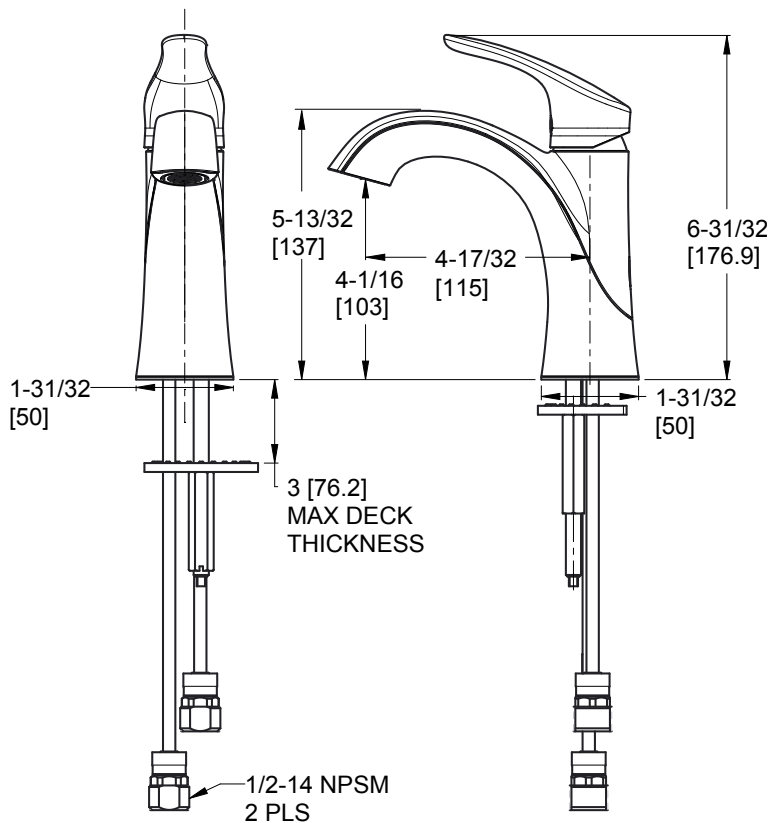
### Code Compliance

Pfister products are designed and manufactured in compliance with the following standards and codes:

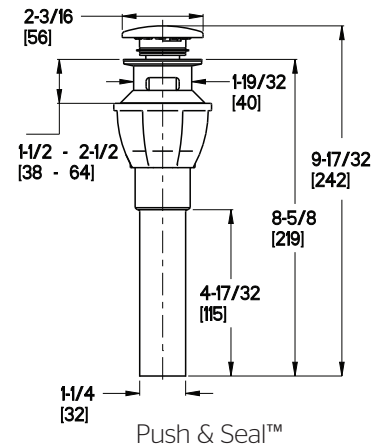
- IAPMO Certified to ASME A112.18.1/CSA B125.1
- NSF 61/9 AnnexG Certified
- EPA WaterSense Certified
- CEC Certified/CALGreen compliant
- ADA Compliant - ANSI A117.1 (Lever Handles Only)



## Dimensions



Optional Deckplate 961-265\*



Push & Seal™

Ø1 Min to Ø1-1/2 Max. Deck Hole Openings