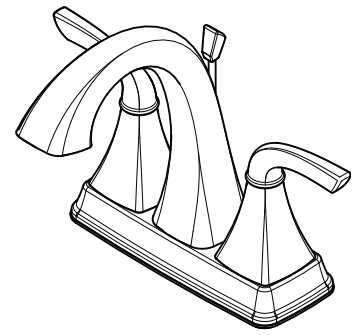


- LG48-BSOC Finish(C)
- LG48-BSOK Finish(K)
- LG48-BSOY Finish(Y)



Specifications

- All Metal Construction
- Pforever Seal

Features

- 1.2 GPM Flow Rate
- All Metal Construction
- Metal Pop Up Drain
- Fixed Hubs
- TiteSeal™ Deckplate
- Pforever Seal™ Ceramic Disc Valves
- Limited Lifetime Warranty



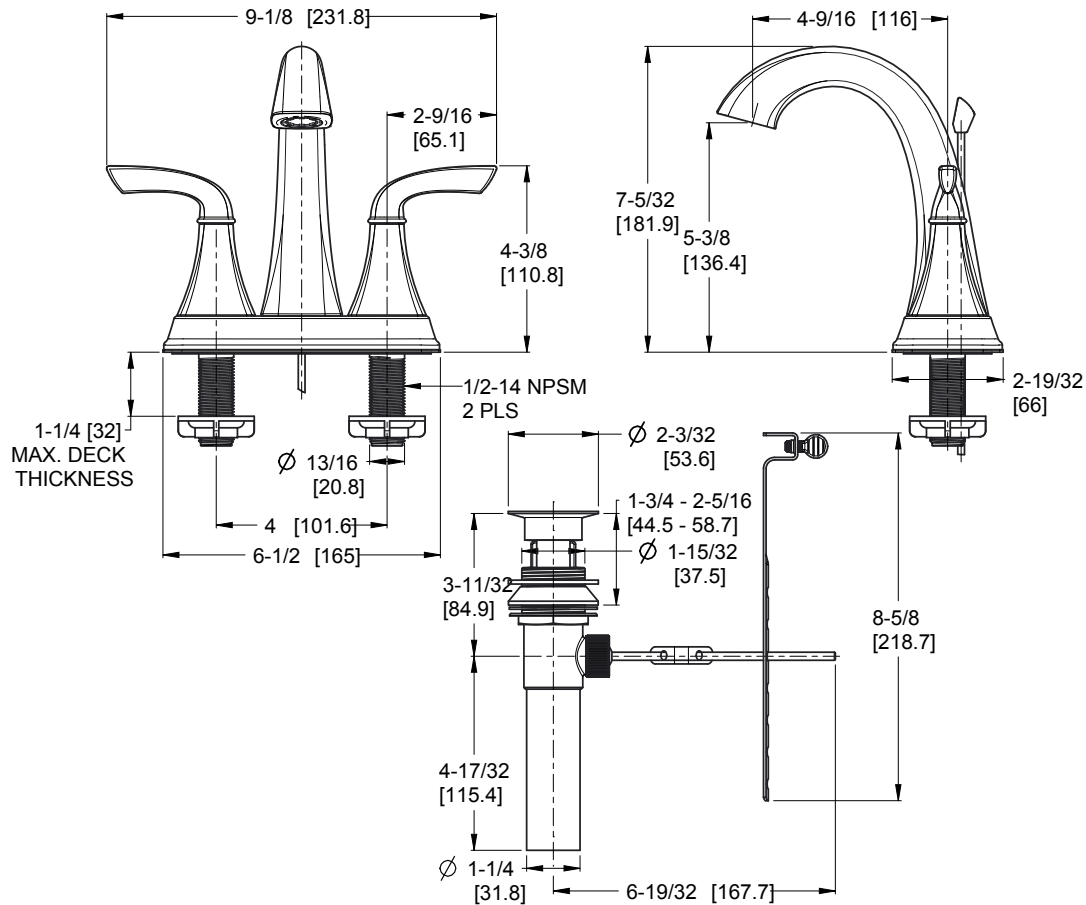
Code Compliance

Pfister products are designed and manufactured in compliance with the following standards and codes:

- IAPMO Certified to ASME A112.18.1/CSA B125.1
- EPA WaterSense Certified
- NSF/ANSI/CAN61:Q≤1
- CEC Certified/CALGreen compliant
- ADA Compliant - ANSI A117.1 (Lever Handles Only)



Dimensions



ϕ 1 Min to ϕ 1-1/2 Max. Deck Hole Openings

All Metal Drain