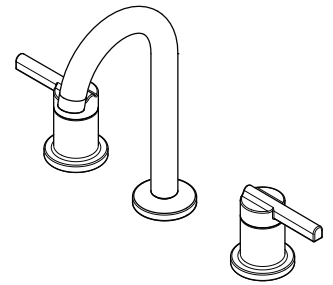


8"-20" Widespread Lavatory Faucet

- LG49-BIOB Finish(B)
- LG49-BIOC Finish(C)
- LG49-BIOK Finish(K)



Specifications

Features

- 1.2 GPM Flow Rate
- Fixed Hubs
- TiteSeal™ Technology
- Supply Lines Not Included
- Pfast Connect™
- Push & Seal™ Pop-Up Drain
- Pforever Seal™ Ceramic Disc Valves
- Limited Lifetime Warranty

- Two-Handle
- 3-Hole Installation
- Pforever Seal™



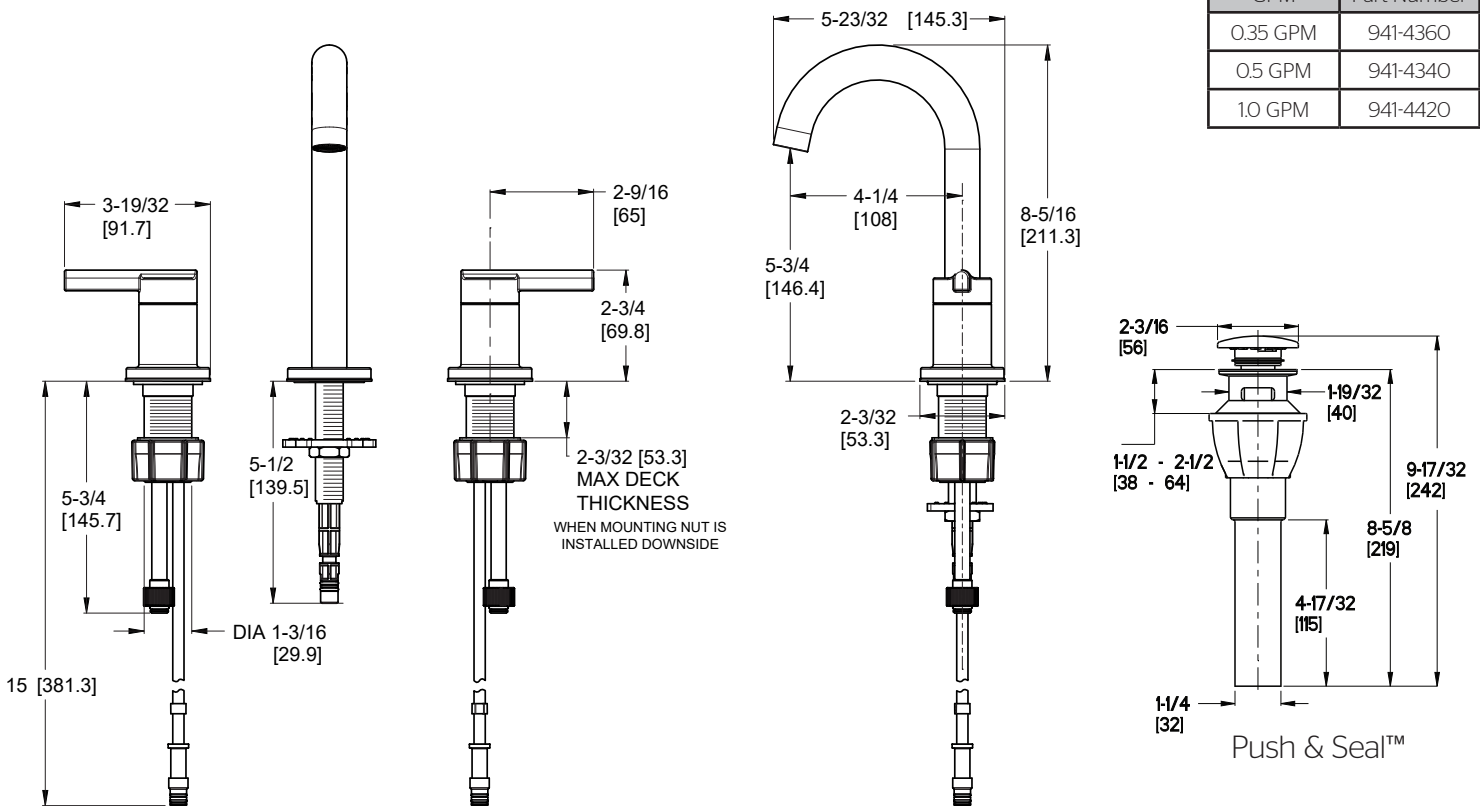
Code Compliance

Pfister products are designed and manufactured in compliance with the following standards and codes:

- IAPMO Certified to ASME A112.18.1/CSA B125.1
- NSF/ANSI/CAN61:Q≤1
- CEC Certified/CALGreen compliant
- EPA WaterSense Certified
- ADA Compliant - ANSI A117.1 (Lever Handles Only)



Dimensions



Optional Aerators Available	
GPM	Part Number
0.35 GPM	941-4360
0.5 GPM	941-4340
1.0 GPM	941-4420

Ø1-1/4 Min to Ø1-1/2 Max. Deck Hole Openings