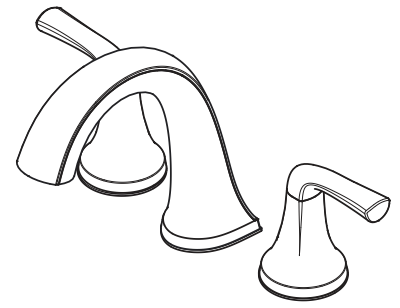


- LG49-MCAOB Finish(B)
- LG49-MCAOC Finish(C)
- LG49-MCAOGS Finish(GS)
- LG49-MCAOY Finish(Y)



Specifications

Features

- 1.2 GPM Flow Rate
- Spot Defense™ Finish Resists Spots and Fingerprints (GS Finish Only)
- Adjustable 3-Hole Installation
- Copper Inlet Line Kit Included
- Fixed Hubs
- Pfast Connect™ Supply Lines
- TiteSeal™ Technology
- Push & Seal™ Pop-Up
- Pforever Seal™ Ceramic Disc Valves
- Limited Lifetime Warranty



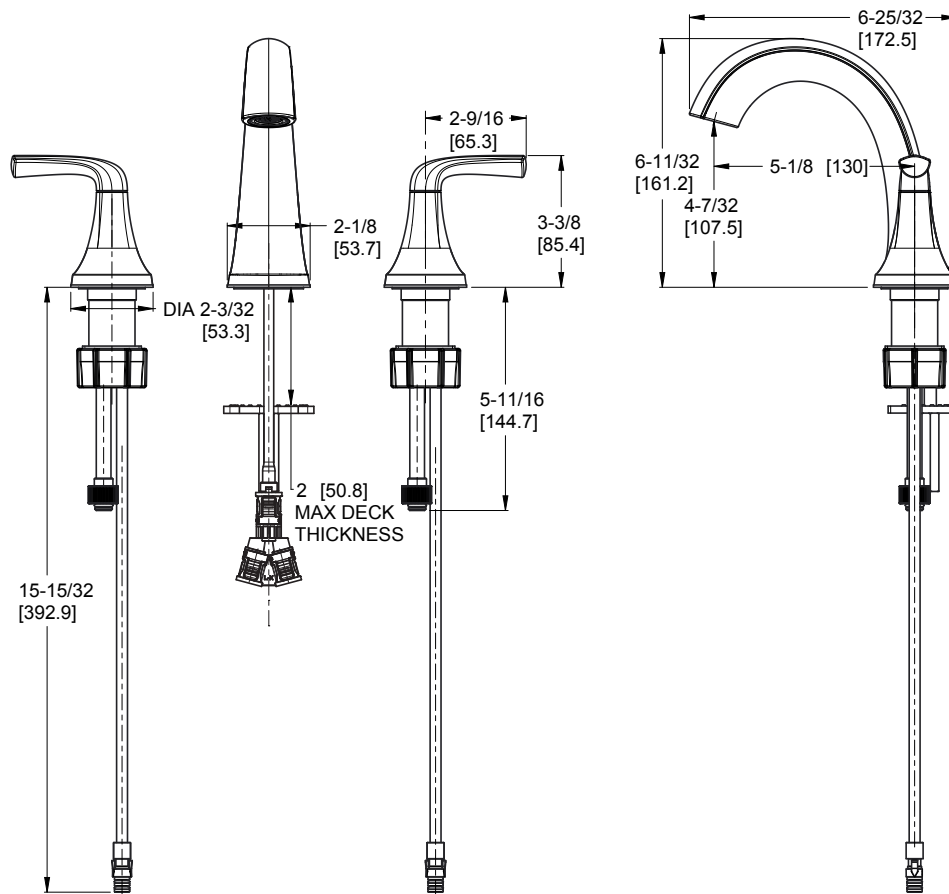
Code Compliance

Pfister products are designed and manufactured in compliance with the following standards and codes:

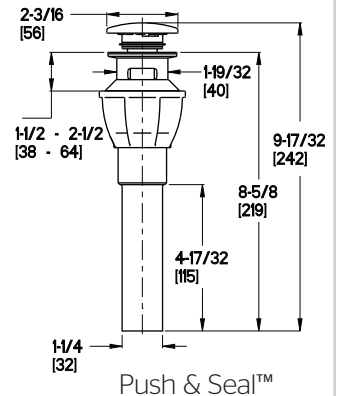
- IAPMO Certified to ASME A112.18.1/CSA B125.1
- NSF/ANSI/CAN61:Q≤1
- CEC Certified/CALGreen compliant
- EPA WaterSense Certified
- ADA Compliant - ANSI A117.1 (Lever Handles Only)



Dimensions



| Optional Aerators Available | |
|-----------------------------|-------------|
| GPM | Part Number |
| 0.35 GPM | 941-4370 |
| 0.5 GPM | 941-4320 |
| 1.0 GPM | 941-4440 |



Push & Seal™

Ø1-1/4 Min to Ø1-1/2 Max. Deck Hole Openings