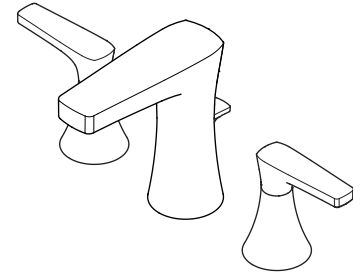


LG49-MFOC Finish(C)

LG49-MFOK Finish(K)



Specifications

Features

- 1.2 GPM Flow Rate
- All Metal Construction
- Metal Pop-Up Drain
- Pforever Seal Ceramic Disc Valves
- Pforever Warranty®

- All Metal Construction
- Pforever Seal

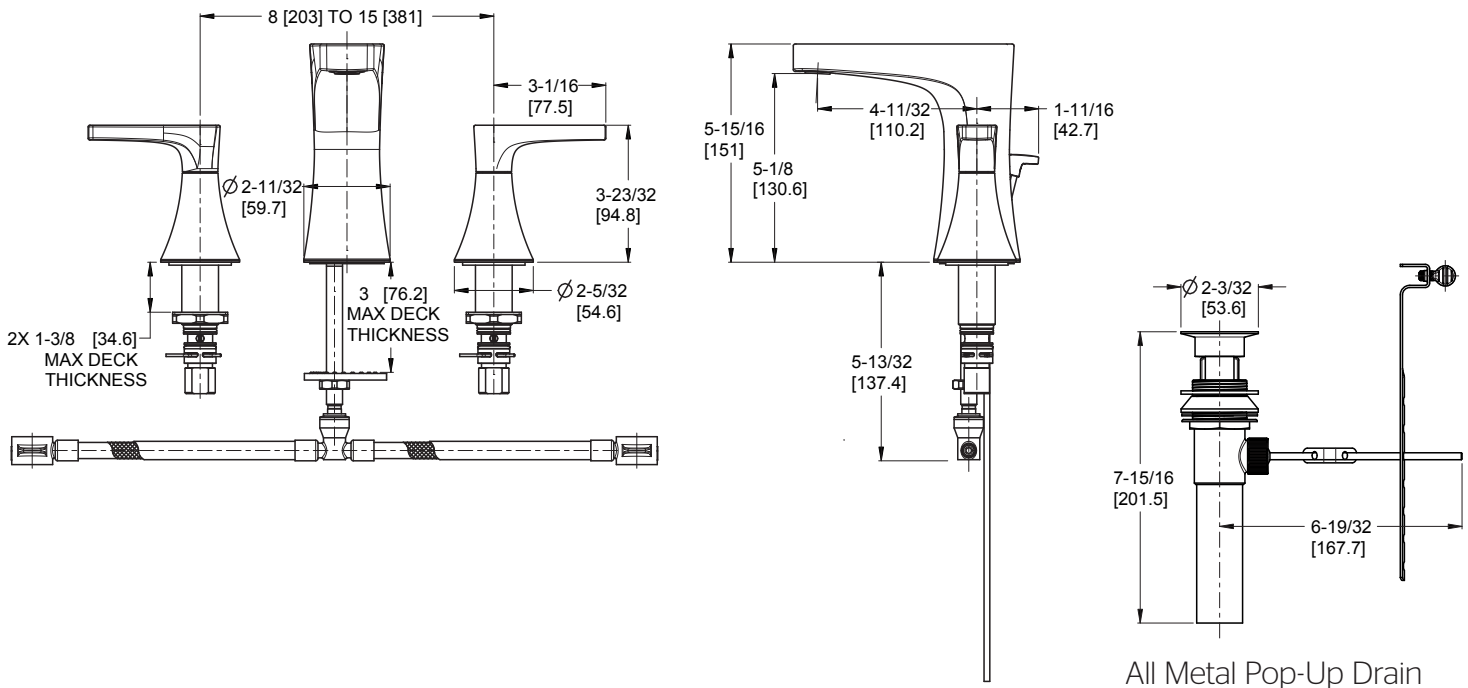
Code Compliance

Pfister products are designed and manufactured in compliance with the following standards and codes:

- IAPMO Certified
- CSA B125 Certified
- ASME A112.18.1
- Cal Green Compliant
- CEC Compliant
- NSF 61/9 Annex G (Low lead)
- EPA WaterSense Certification 1.5 gpm, 5.7 L/Min
- ADA Compliant-ANSI A117.1 (Lever handles only)



Dimensions



\varnothing 1-1/4 Min to \varnothing 1-1/2 Max. Deck Hole Openings