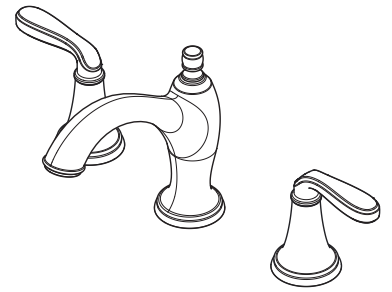


- LG49-MGOC Finish(C)
- LG49-MGOK Finish(K)
- LG49-MGOY Finish(Y)



Specifications

- High Temperature Limit Stop
- Pforever Seal™

Features

- 1.2 GPM Flow Rate
- Fixed Hubs
- Metal Pop-Up Drain
- PVD Finish (K Finish Only)
- Pforever Seal™ Ceramic Disc Valves
- Limited Lifetime Warranty

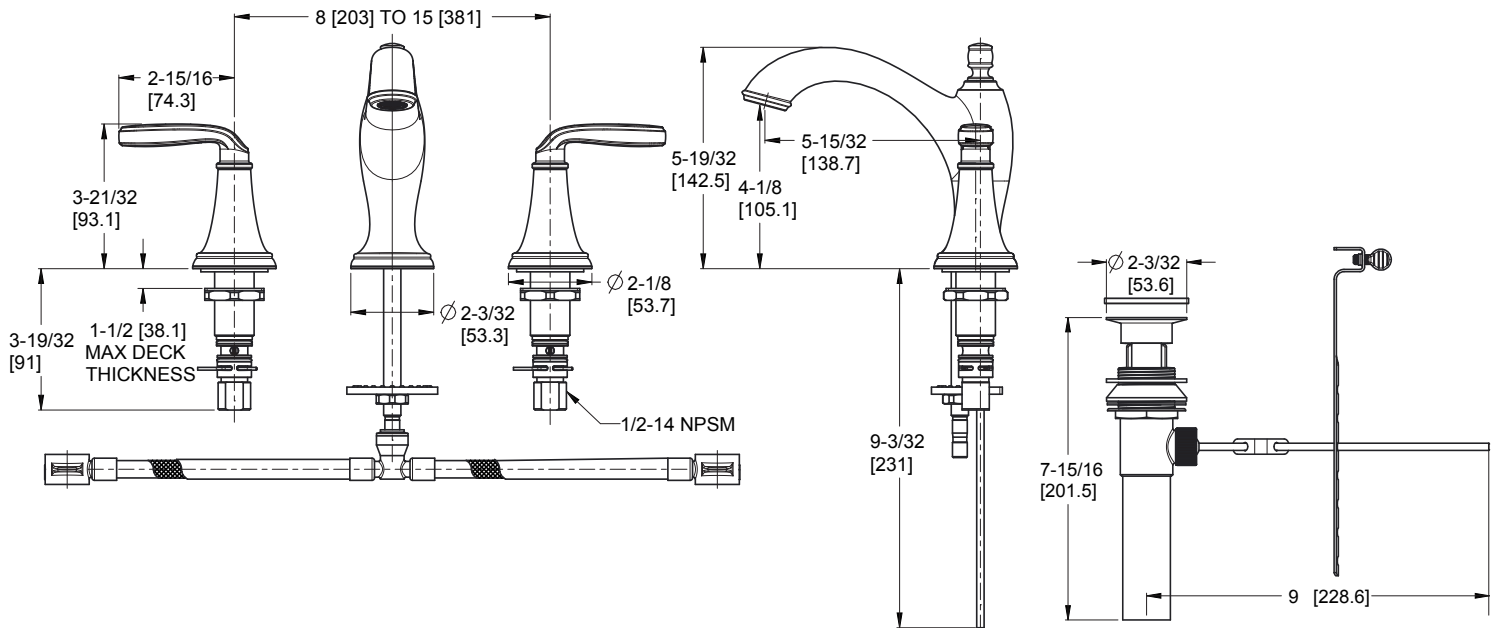
Code Compliance

Pfister products are designed and manufactured in compliance with the following standards and codes:

- IAPMO Certified to ASME A112.18.1/CSA B125.1
- NSF/ANSI/CAN61:Q≤1
- CEC Certified/CALGreen compliant
- EPA WaterSense Certified
- ADA Compliant - ANSI A117.1 (Lever Handles Only)



Dimensions



Metal Pop-Up Drain

Ø1-1/4 Min to Ø1-1/2 Max. Deck Hole Openings