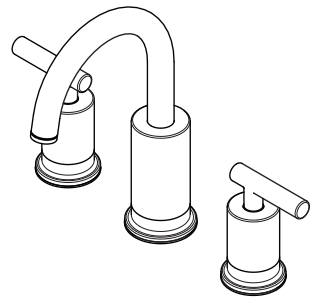


- LG49-NCPBG Finish(BG)
- LG49-NCPB Finish(B)
- LG49-NCPC Finish(C)
- LG49-NCPK Finish(K)



Specifications

Features

- 1.2 GPM Flow Rate
- Push & Seal™ Drain Included
- Pfast Connect™ Supply Lines
- 8"-20" Variable Installation
- Fixed Hubs
- High Arc Fixed Spout
- TiteSeal™ Technology
- PVD Finish (K Finish Only)
- Pforever Seal™ Ceramic Disc Valves
- Limited Lifetime Warranty

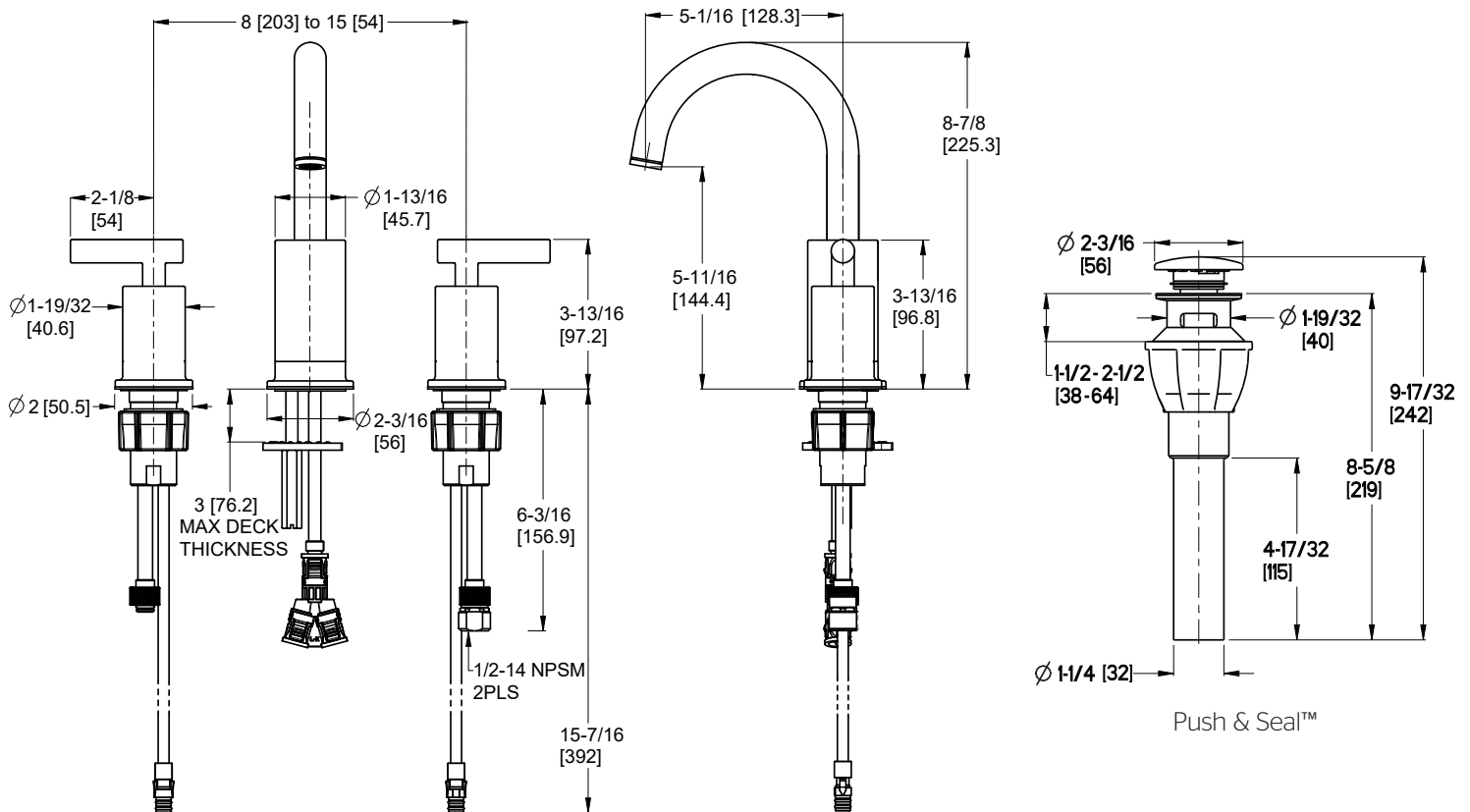
Code Compliance

Pfister products are designed and manufactured in compliance with the following standards and codes:

- IAPMO Certified to ASME A112.18.1/CSA B125.1
- NSF/ANSI/CAN61:Q≤1
- CEC Certified/CALGreen compliant
- EPA WaterSense Certified
- ADA Compliant - ANSI A117.1 (Lever Handles Only)



Dimensions



Ø1-1/4 Min to Ø1-1/2 Max. Deck Hole Openings