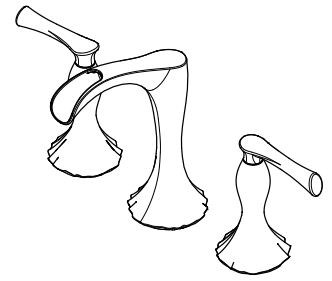


- LG49-RH1C Finish(C)
- LG49-RH1K Finish(K)
- LG49-RH1B Finish(B)
- LG49-RH1BG Finish(BG)



Specifications

Features

- 1.2 GPM Flow Rate
- 1/4 Turn Brass Cartridge
- Includes All Metal Push & Seal™
- Peekaboo Trough Spout
- Pforever Seal™ Ceramic Disc Valves
- Limited Lifetime Warranty

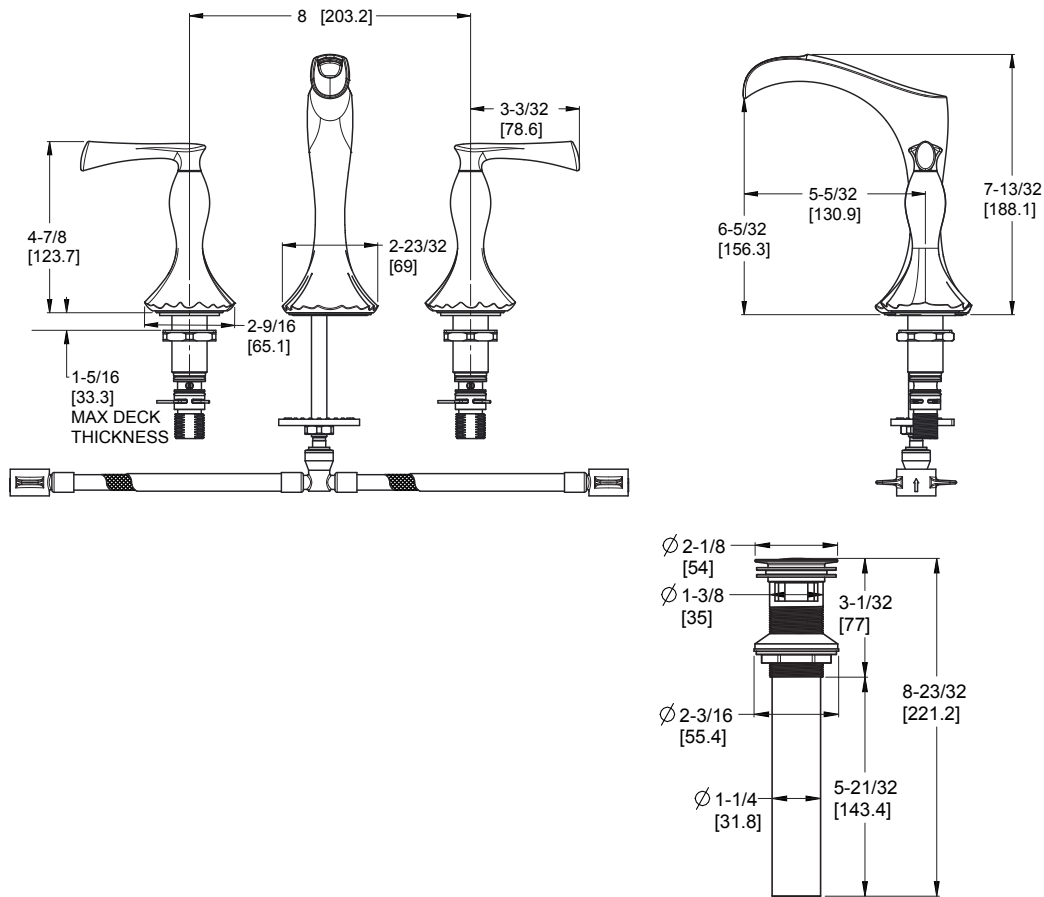
Code Compliance

Pfister products are designed and manufactured in compliance with the following standards and codes:

- IAPMO Certified to ASME A112.18.1/CSA B125.1
- NSF/ANSI/CAN61:Q≤1
- CEC Certified/CALGreen compliant
- EPA WaterSense Certified
- ADA Compliant - ANSI A117.1 (Lever Handles Only)



Dimensions



Ø1-1/4 Min to Ø1-1/2 Max. Deck Hole Openings

Push & Seal™