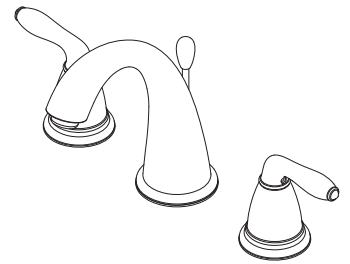


- LG49-SROC Finish(C)
- LG49-SROK Finish(K)
- LG49-SROY Finish(Y)



## Specifications

### Features

- 1.2 GPM Flow Rate
- Metal Lever Handles
- Includes Metal Supply Nuts
- 3-Hole Installation
- Metal Pop-Up Drain
- High Arc Spout
- Pforever Seal Ceramic Disc Valves
- Pforever Warranty®

- Lever Handles
- 3-Hole Installation
- Pforever Seal

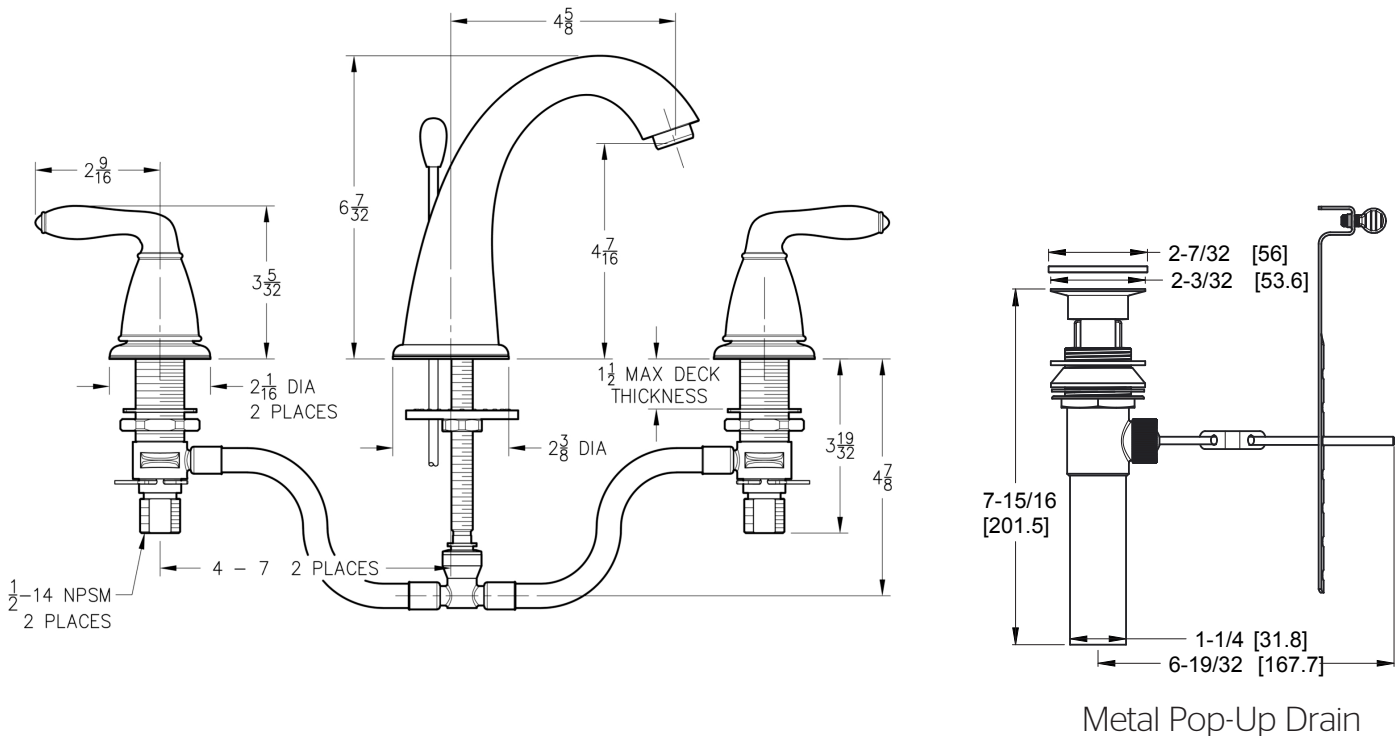
### Code Compliance

Pfister products are designed and manufactured in compliance with the following standards and codes:

- IAPMO Certified
- CSA B125 Certified
- ASME A112.18.1
- NSF 61/9 Annex G (Low lead)
- Cal Green Compliant
- CEC Compliant
- EPA WaterSense Certification 1.2 gpm, 4.5L/Min
- ADA Compliant-ANSI A117.1 (Lever handles only)



## Dimensions



Ø1-1/4 Min to Ø1-1/2 Max. Deck Hole Openings