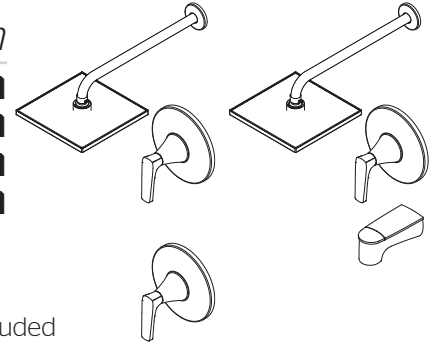


Kelen™ Tub & Shower Trim

- R89-1MFC Finish(C) LG89-7MFC Finish(C)
- R89-1MFK Finish(K) LG89-7MFK Finish(K)
- LG89-8MFC Finish(C)
- LG89-8MFK Finish(K)



Specifications

- Trim Only, Valve Not Included
- Pforever Seal

Features

- 1.8 GPM Flow Rate (Showerhead)
- Brass Ball Joint
- Integrated Diverter Tub Spout
- Raincan Showerhead (1MF excluded)
- SecurePfit™ Trim with Anti Handle Wobble
- Valve Trim Only (1MF Only)
- Shower Only (7MF Only)
- Tub & Shower (8MF Only)
- Requires OX8/JX8 Valve (Sold Separately)
- Pforever Warranty™

Code Compliance

- Pfister products are designed and manufactured in compliance with the following standards and codes:
- IAPMO Certified
 - CSA B125 Certified
 - ASME A112.18.1
 - Cal Green Compliant
 - CEC Compliant
 - EPA WaterSense Certification 1.8 gpm, 6.8 L/Min
 - ADA Compliant-ANSI A117.1 (Lever handles only)



Dimensions

