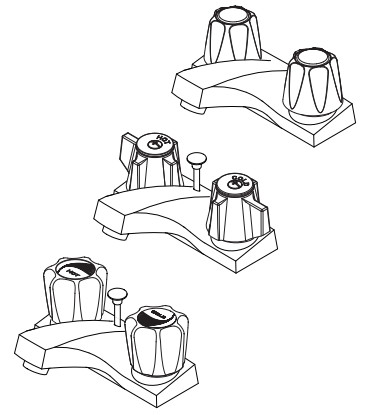


4" Centerset Lavatory Faucet

- | | |
|--|---|
| 143-5000 Finish(PC) <input type="checkbox"/> | G143-5000 Finish(PC) <input type="checkbox"/> |
| 143-5002 Finish(PC) <input type="checkbox"/> | G143-5002 Finish(PC) <input type="checkbox"/> |
| 143-6000 Finish(PC) <input type="checkbox"/> | G143-6000 Finish(PC) <input type="checkbox"/> |
| 143-6002 Finish(PC) <input type="checkbox"/> | G143-6002 Finish(PC) <input type="checkbox"/> |
| 143-6005 Finish(PC) <input type="checkbox"/> | G143-6005 Finish(PC) <input type="checkbox"/> |



- Two-Handle
- 3-Hole Installation
- Washerless Valves

Specifications

Features

- 1.5 GPM Flow Rate
- Acrylic Handles (5002 & 6002 Only)
- Blade Handles (6005 Only)
- Metal Handles (5000 & 6002 Only)
- Less Pop-Up (500* Only)
- Metal Pop-Up (600* Only)
- Includes Cap For Pop-Up Hole (500* Only)
- Chain Loop Hole
- Washerless Valves
- Pforever Warranty®

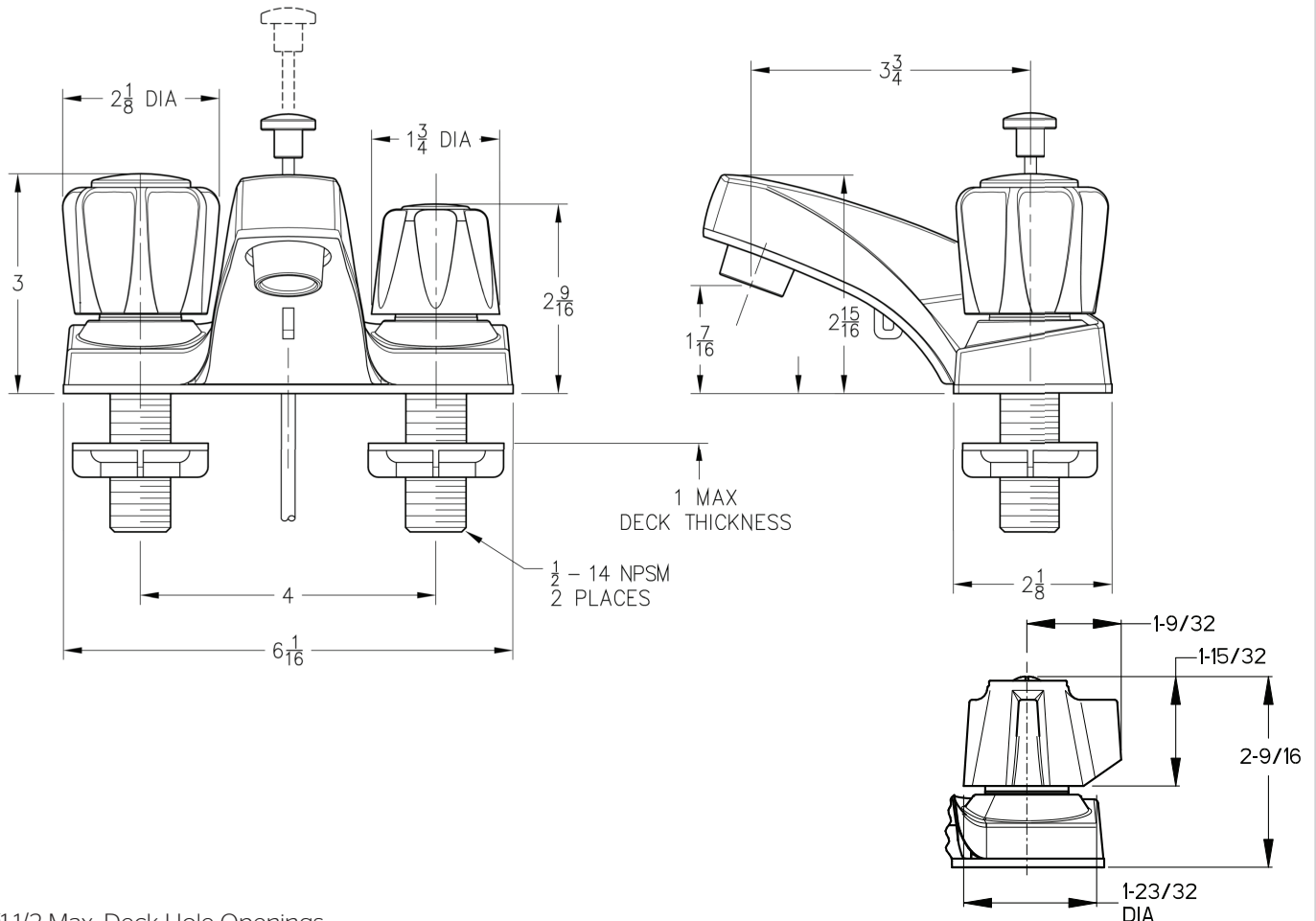
Code Compliance

Pfister products are designed and manufactured in compliance with the following standards and codes:

- IAPMO Certified
- CSA B125 Certified
- ASME A112.18.1
- NSF 61/9 Annex G (Low lead) (G-143 Only)
- Cal Green Compliant (G-143 Only)
- EPA Watersense Certification 1.5 gpm, 5.7L/Min (G-143 Only)
- ADA Compliant-ANSI A117.1 (Lever handles only) (6005 Only)



Dimensions



Ø1 Min to Ø1-1/2 Max. Deck Hole Openings