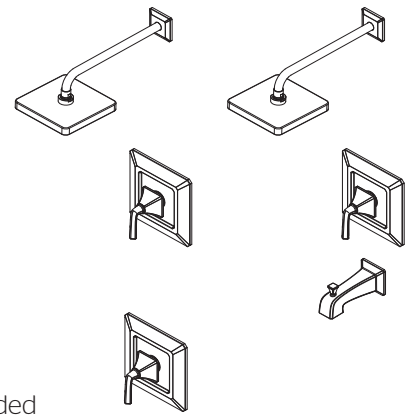


- | | | | |
|---|---|---|---|
| R89-1FEC Finish(C) <input type="checkbox"/> | R89-1FEK Finish(K) <input type="checkbox"/> | R89-7FEK Finish(K) <input type="checkbox"/> | R89-8FEK Finish(K) <input type="checkbox"/> |
| R89-1FED Finish(D) <input type="checkbox"/> | R89-1FEY Finish(Y) <input type="checkbox"/> | R89-7FEY Finish(Y) <input type="checkbox"/> | R89-8FEY Finish(Y) <input type="checkbox"/> |



Specifications

- Secure Pfit Trim
- Trim Only, Valve Not Included

Features

- Secure Pfit Trim
- Brass Ball Joints (1FE Excluded)
- Fits OX8 and OX9 Valve Bodies
- 2.5 GPM Shower Head
- Tub & Shower (8FE Only)
- Shower Only (7FE Only)
- Trim Only, Valve Not Included
- Raincan Showerhead (1FE Excluded)
- EZ Clean™
- Metal Shower Arm and Flange
- Quick Connect Tub Spout (8FE Only)
- Quick Trim Installation- Attaches Without Tools, No Exposed Screws
- Pforever Warranty®

Code Compliance

Pfister products are designed and manufactured in compliance with the following standards and codes:

- IAPMO Certified
- CSA B125 Certified
- ASME A112.18.1
- ADA Complaint-ANSI-A117.1 (Lever handles only)



Dimensions

