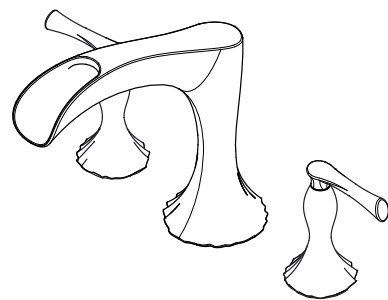


- RT6-5RHC Finish(C)
- RT6-5RHK Finish(K)
- RT6-5RHB Finish(B)
- RT6-5RHBG Finish(BG)



Specifications

Features

- 12 GPM at 45 PSI
- 3-Hole Installation
- All Metal Construction
- Must Order Valve Separately, OX6-050R or OX6-150R
- Roman Tub Supply Lines Not Included
- Trough Spout
- Pforever Warranty®

- 3-Hole Installation
- Trim Only, Valve Not Included

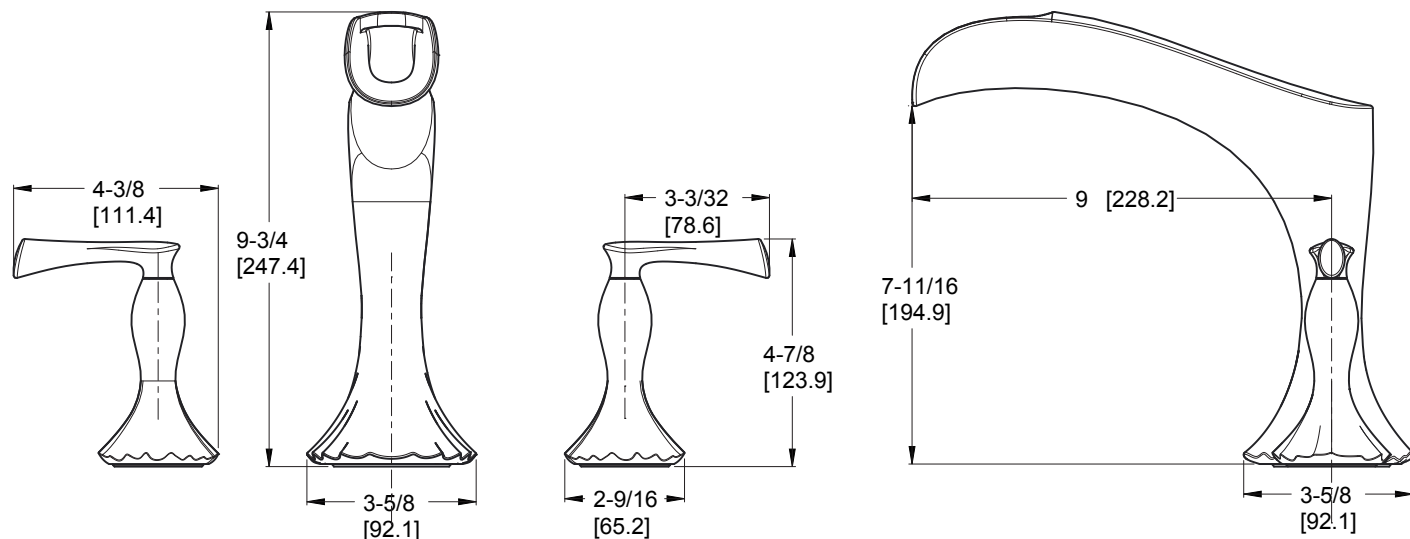
Code Compliance

Pfister products are designed and manufactured in compliance with the following standards and codes:

- IAPMO Certified
- CSA B125 Certified
- ASME A112.18.1
- Cal Green Compliant
- ADA Compliant-ANSI A117.1 (Lever handles only)



Dimensions



Ø1 Min to Ø1-1/2 Max. Deck Hole Openings